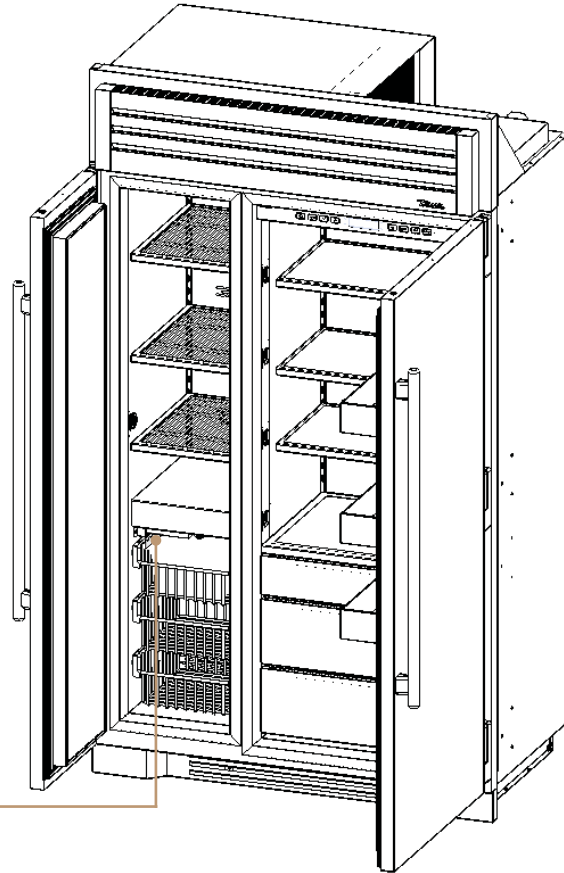


SERIAL NUMBER LOCATOR

SIDE-BY-SIDE



Serial label located on the interior left wall of the freezer when the top wire basket is pulled out

MODEL NUMBER

SERIAL NUMBER

True

True Manufacturing Co., Inc.
True Residential
O'Fallon MO 63366

MADE IN THE U.S.A. / HECHO EN U.S.A.



SERIAL NUMBER:
(NÚMERO DE SERIE)

10000000

MODEL: XXX-XX-X-XX-X
(MODELO)

115V~	REFRIGERANT (Refrigerante)	AMPS	HEATER
60Hz		1.0	W
1PH	R600a 2.0 (57) oz (g)		

BLOWING AGENT: R1233zd
(Agente Espumante)
CLIMATE CLASS: 5

EBG

⚠ WARNING:

This product can expose you to chemicals including Di-(2-Ethylhexyl) Phthalate (DEHP), which is known to the State of California to cause cancer and birth defects or other reproductive harm.

DO NOT CLEAN LABEL WITH SOLVENT



Intertek

Intertek

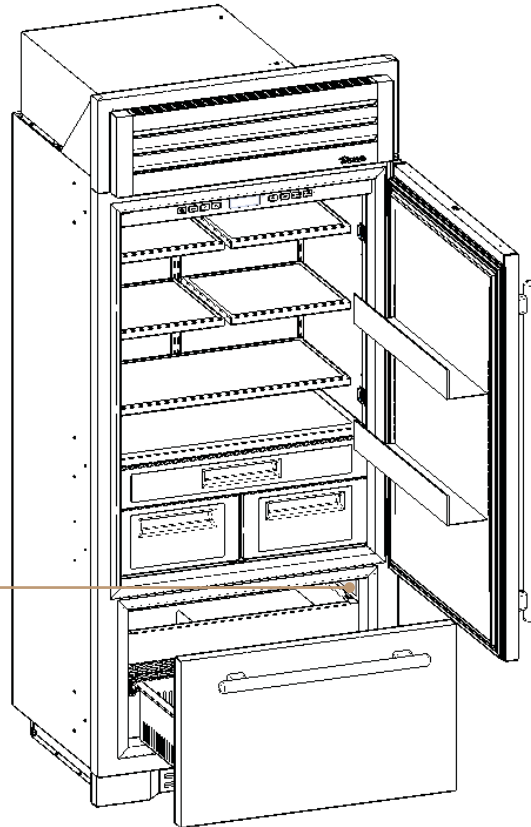
5018826 MEX

CONFORMS TO NSF/ANSI STANDARD 7

CONFORMS TO UL 60335-1 60335-2-24 60335-2-89 CERTIFIED TO CSA C22.2 60335-1 60335-2-24 60335-2-89

SERIAL NUMBER LOCATOR

REFRIGERATOR WITH BOTTOM FREEZER



Serial label located on the interior right wall of the freezer when drawer pulled out

MODEL NUMBER

SERIAL NUMBER

True[®]

True Manufacturing Co., Inc.
True Residential
O'Fallon MO 63366
MADE IN THE U.S.A. / HECHO EN U.S.A.



SERIAL NUMBER:
(NÚMERO DE SERIE)

10000000

MODEL: XXX-XX-X-XX-X
(MODELO)

115V~	REFRIGERANT (Refrigerante)	AMPS	HEATER
60Hz		1.0	W
1PH	R600a 2.0 (57) oz (g)		

BLOWING AGENT: R1233zd
(Agente Espumante)
CLIMATE CLASS: 5

EBG

⚠ WARNING:

This product can expose you to chemicals including Di-(2-Ethylhexyl) Phthalate (DEHP), which is known to the State of California to cause cancer and birth defects or other reproductive harm.

DO NOT CLEAN LABEL WITH SOLVENT



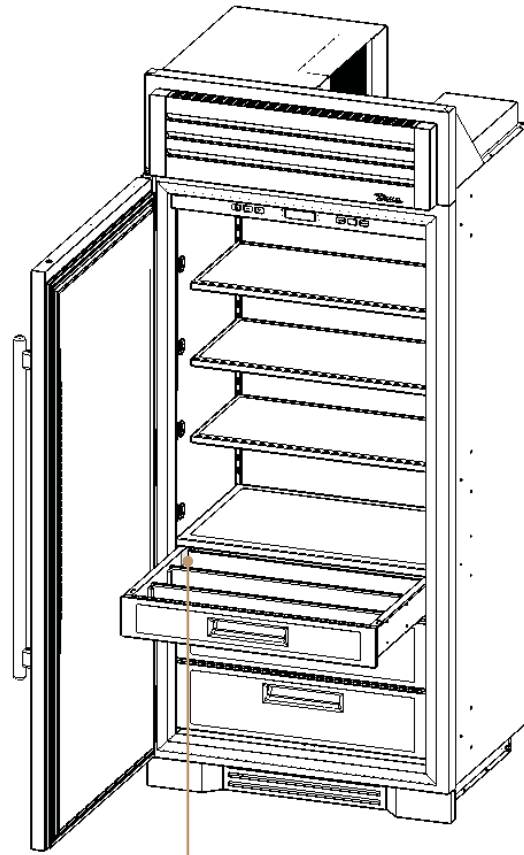
Intertek Intertek

CONFORMS TO NSF/ANSI STANDARD 7
CONFORMS TO UL 60335-1 60335-2-24 60335-2-89
CERTIFIED TO CSA C22.2 60335-1 60335-2-24 60335-2-89

5018826 MEX

SERIAL NUMBER LOCATOR

COLUMN



Serial label located on the interior left wall when top drawer is pulled out

MODEL NUMBER

SERIAL NUMBER

True[®]

True Manufacturing Co., Inc.
True Residential
O'Fallon MO 63366
MADE IN THE U.S.A. / HECHO EN U.S.A.



SERIAL NUMBER:
(NÚMERO DE SERIE)

10000000

MODEL: XXX-XX-X-XX-X
(MODELO)

115V~	REFRIGERANT (Refrigerante)	AMPS	HEATER
60Hz		1.0	
1PH	R600a 2.0 (57) oz (g)		W

BLOWING AGENT: R1233zd
(Agente Espumante)
CLIMATE CLASS: 5

EBG

⚠ WARNING:

This product can expose you to chemicals including Di-(2-Ethylhexyl) Phthalate (DEHP), which is known to the State of California to cause cancer and birth defects or other reproductive harm.

DO NOT CLEAN LABEL WITH SOLVENT



Intertek

Intertek

5018826 MEX

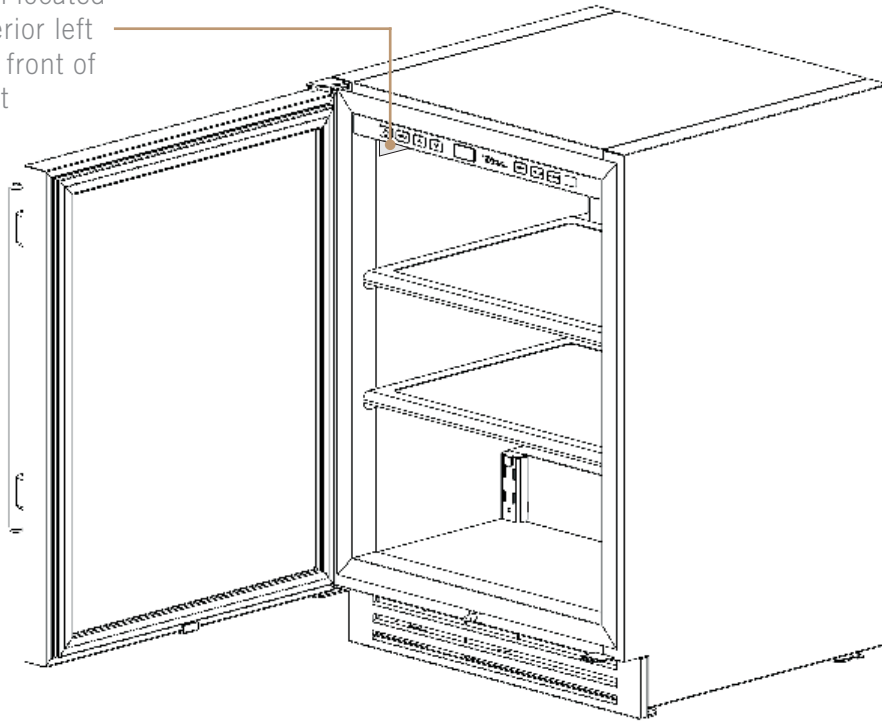
CONFORMS TO NSF/ANSI STANDARD 7

CONFORMS TO UL 60335-1 60335-2-24 60335-2-89 CERTIFIED TO CSA C22.2 60335-1 60335-2-24 60335-2-89

SERIAL NUMBER LOCATOR

UNDERCOUNTER

Serial label located on the interior left wall at the front of the cabinet



MODEL NUMBER

SERIAL NUMBER

True

True Manufacturing Co., Inc.
True Residential
O'Fallon MO 63366

MADE IN THE U.S.A. / HECHO EN U.S.A.



SERIAL NUMBER:
(NÚMERO DE SERIE)

10000000

MODEL: XXX-XX-X-XX-X
(MODELO)

115V~	REFRIGERANT (Refrigerante)	AMPS	HEATER
60Hz		1.0	W
1PH	R600a 2.0 (57) oz (g)		

BLOWING AGENT: R1233zd
(Agente Espumante)

CLIMATE CLASS: 5

EBG

⚠ WARNING:

This product can expose you to chemicals including Di-(2-Ethylhexyl) Phthalate (DEHP), which is known to the State of California to cause cancer and birth defects or other reproductive harm.

DO NOT CLEAN LABEL WITH SOLVENT



Intertek Intertek

5018826 MEX

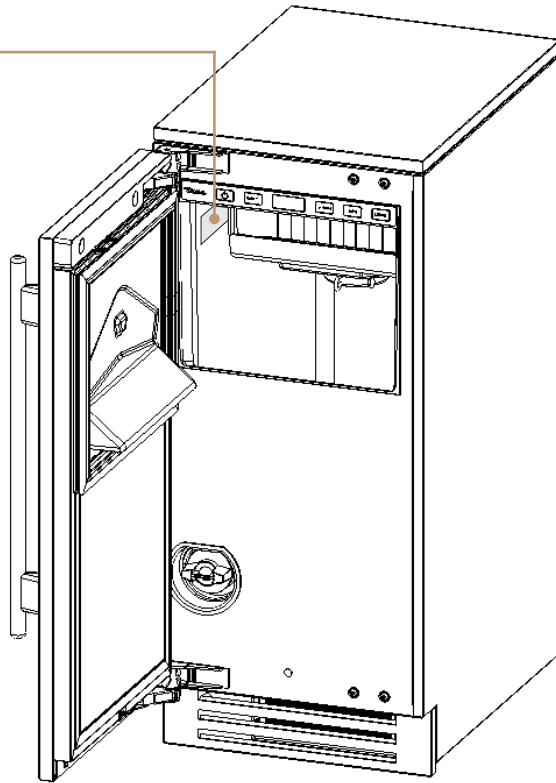
CONFORMS TO NSF/ANSI STANDARD 7

CONFORMS TO UL 60335-1 60335-2-24 60335-2-89 CERTIFIED TO CSA C22.2 60335-1 60335-2-24 60335-2-89

SERIAL NUMBER LOCATOR

CLEAR ICE MACHINE

Serial label located on the interior left wall at the front of the cabinet



MODEL NUMBER

SERIAL NUMBER

True

True Manufacturing Co., Inc.
True Residential
O'Fallon MO 63366
MADE IN THE U.S.A. / HECHO EN U.S.A.



SERIAL NUMBER:
(NÚMERO DE SERIE)

10000000

MODEL: XXX-XX-X-XX-X
(MODELO)

115V~	REFRIGERANT (Refrigerante)	AMPS	HEATER
60Hz		1.0	W
1PH	R600a 2.0 (57) oz (g)		

BLOWING AGENT: R1233zd
(Agente Espumante)
CLIMATE CLASS: 5

EBG

⚠ WARNING:

This product can expose you to chemicals including Di-(2-Ethylhexyl) Phthalate (DEHP), which is known to the State of California to cause cancer and birth defects or other reproductive harm.

DO NOT CLEAN LABEL WITH SOLVENT



Intertek

Intertek

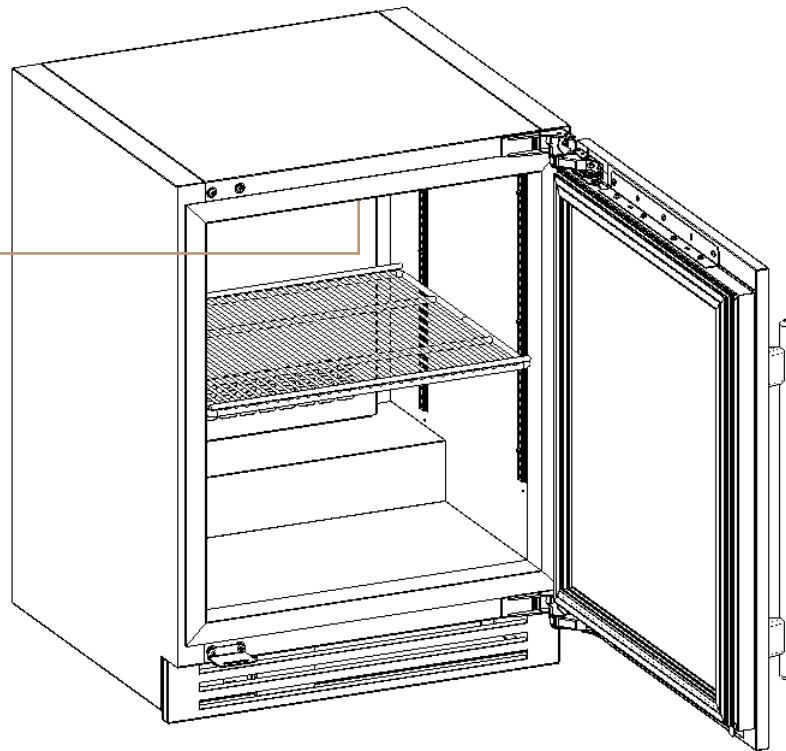
CONFORMS TO NSF/ANSI STANDARD 7
CONFORMS TO UL 60335-1 60335-2-24 60335-2-89
CERTIFIED TO CSA C22.2 60335-1 60335-2-24 60335-2-89

5018826 MEX

SERIAL NUMBER LOCATOR

ADA HEIGHT UNDERCOUNTER

Serial label located on the interior top, front of the cabinet



MODEL NUMBER

SERIAL NUMBER

True[®]

True Manufacturing Co., Inc.
True Residential
O'Fallon MO 63366
MADE IN THE U.S.A. / HECHO EN U.S.A.



SERIAL NUMBER:
(NÚMERO DE SERIE)

10000000

MODEL: XXX-XX-X-XX-X
(MODELO)

115V~	REFRIGERANT (Refrigerante)	AMPS	HEATER
60Hz		1.0	W
1PH	R600a 2.0 (57) oz (g)		

BLOWING AGENT: R1233zd
(Agente Espumante)
CLIMATE CLASS: 5

EBG

⚠ WARNING:

This product can expose you to chemicals including Di-(2-Ethylhexyl) Phthalate (DEHP), which is known to the State of California to cause cancer and birth defects or other reproductive harm.

DO NOT CLEAN LABEL WITH SOLVENT



Intertek Intertek

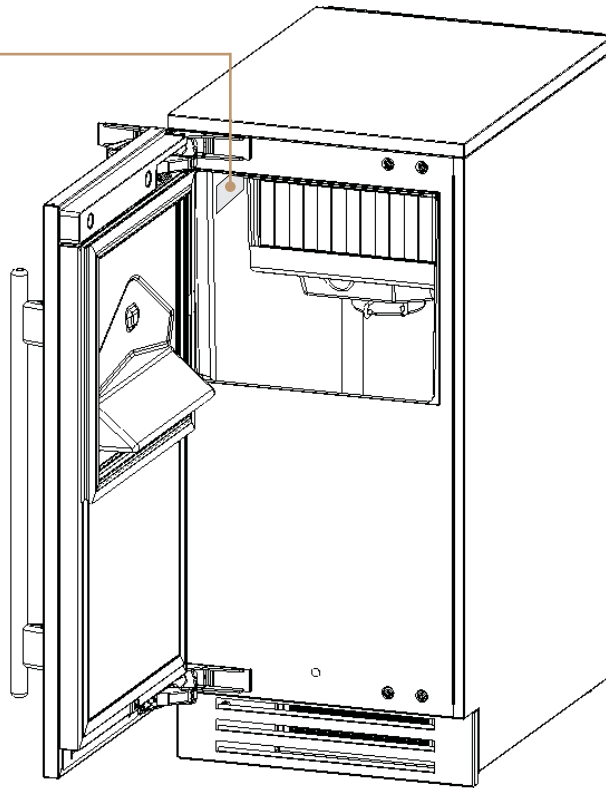
CONFORMS TO NSF/ANSI STANDARD 7
CONFORMS TO UL 60335-1 60335-2-24 60335-2-89
CERTIFIED TO CSA C22.2 60335-1 60335-2-24 60335-2-89

5018826 MEX

SERIAL NUMBER LOCATOR

ADA HEIGHT CLEAR ICE MACHINE

Serial label located on the interior left wall at the front of the cabinet



MODEL NUMBER

SERIAL NUMBER

True Manufacturing Co., Inc.
True Residential
O'Fallon MO 63366
MADE IN THE U.S.A. / HECHO EN U.S.A.



SERIAL NUMBER:
(NÚMERO DE SERIE)

10000000

MODEL: XXX-XX-X-XX-X
(MODELO)

115V~	REFRIGERANT (Refrigerante)	AMPS	HEATER
60Hz		1.0	
1PH	R600a 2.0 (57) oz (g)		W

BLOWING AGENT: R1233zd
(Agente Espumante)
CLIMATE CLASS: 5

EBG

⚠ WARNING:

This product can expose you to chemicals including Di-(2-Ethylhexyl) Phthalate (DEHP), which is known to the State of California to cause cancer and birth defects or other reproductive harm.

DO NOT CLEAN LABEL WITH SOLVENT



Intertek

Intertek

5018826 MEX

CONFORMS TO NSF/ANSI STANDARD 7

CONFORMS TO UL 60335-1 60335-2-24 60335-2-89 CERTIFIED TO CSA C22.2 60335-1 60335-2-24 60335-2-89