

## 36" REFRIGERATOR COLUMN WITH STAINLESS GLASS DOOR

### TR-36REF-R/L-SG-C

TR-36REF-R-SG-C (Right hinged)

TR-36REF-L-SG-C (Left hinged)

#### FEATURES

- Environmentally friendly R600a refrigerant
- Balanced, forced-air refrigeration system enables proper airflow and even temperature throughout to keep food fresh.
- Industry exclusive, 300-series stainless steel interior and exterior.
- All stainless steel, beautifully crafted proud hinges pass True's rigorous one million door opening test.
- Beautifully crafted solid stainless steel door with 120° stay-open feature and ergonomically designed, robust, tubular handle.
- Commercially inspired lift-up grill on top of the unit with toe kick that complements the look of True's undercounter units.
- Ramp-up, showcase interior LED lighting provides amazing illumination throughout.
- Low-E, double pane, UV tinted glass.
- Intuitive True Precision® Control and readout provides digital accuracy and easy operation.

#### ORGANIZATION

- 3 adjustable/removable full-depth stainless steel encapsulated glass shelves.
- 1 fixed stainless steel encapsulated glass shelf.
- 3 full-extension, soft-close drawer bins with polycarbonate fronts and integrated handles.


#### BUILD YOUR TRUE

Customize your True with a variety of finish and hardware options at [true-residential.com/custom](http://true-residential.com/custom).



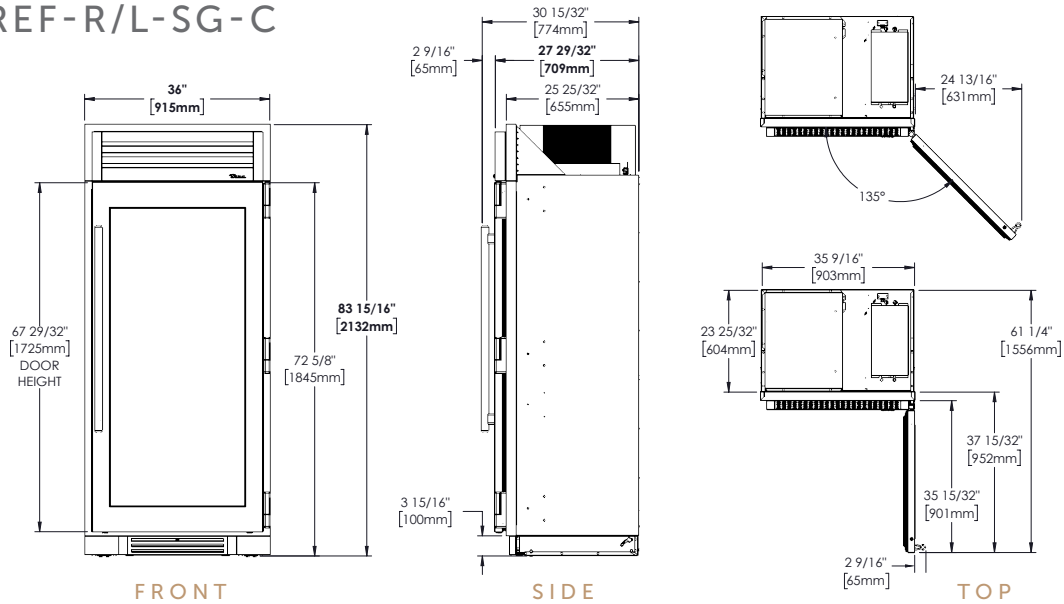
TR-36REF-R-SG-C

#### SPECIFICATIONS

Dimensions (w x h x d)	36" x 84" x 24"
Cutout Dimensions (w x h x d)	
Flush Opening	36¼" x 84¼" x 26"
Standard Opening	35¾" x 84¼" x 24"
Capacity (cu. ft.)	25.5
Temperature Range	33°F to 42°F
Weight (lbs.)	615
Voltage	115/60/1  115/60/1 NEMA-5-15R
Amps	2
Annual Energy Consumption (kwh)	379
Power Cord Length (ft.)	9
Energy Star Rated	—

# 36" REFRIGERATOR COLUMN WITH STAINLESS GLASS DOOR

## TR-36REF-R/L-SG-C



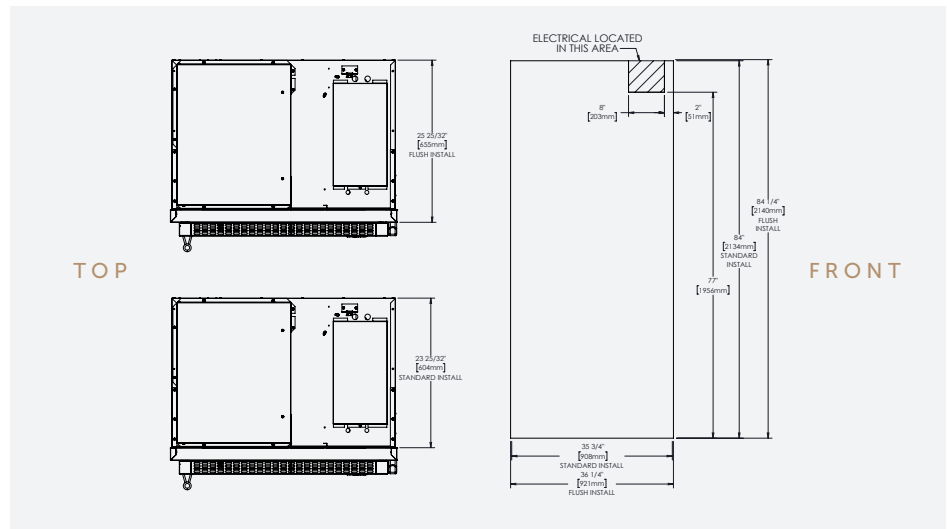
## OPENING DIMENSIONS

### FLUSH OPENING

WIDTH	HEIGHT	DEPTH
36 1/4"	84 1/4"	26"

### STANDARD OPENING

WIDTH	HEIGHT	DEPTH
35 3/4"	84 1/4"	24"



## MODEL OPTIONS

MODEL	FINISH
TR-36REF-R-SG-C	Stainless glass door right-hinged
TR-36REF-L-SG-C	Stainless glass door left-hinged

## ACCESSORIES (OPTIONAL)

- Joining kit
- Side panel(s)
- Full size anti-condensation pad

## WARRANTY

- 3 year full (parts & labor)
- 6 year sealed system (parts & labor)
- 7–12 year (parts only – sealed system on registered products)