

24" OVERLAY PANEL READY WINE CABINET

TUWADA-24-LS/RS-A~O

TUWADA-24-RS-A~O (Right hinged, standard)

TUWADA-24-LS-A~O (Left hinged, special order)

FEATURES

- 32" height allows for installation under ADA-compliant counter top
- Articulating, soft close hinge allows fully integrated, flexible installations
- Field-reversible hinge allows for flexibility in the field
- Sleek black aluminum interior
- Black powder coated steel exterior
- Five pull-out PVC coated wire wine racks for storage of 7 bottles each and one floor wine cradle for storage of 5 bottles, 40 bottles total.
- Forced air refrigeration system which maintains 40°– 65°F (4.4°– 18.3°C)
- Environmentally friendly R600a refrigerant
- Concealed digital temperature controls allows for precise temperature management
- White LED lighting illuminates your product
- UL-rated for outdoor use
- Unit comes standard with 4 adjustable leg levelers
- NSF/ANSI Standard 7 compliant for packaged food product

ORGANIZATION

- Five pull-out PVC coated wire wine racks for storage of 7 bottles each
  - Shelf dimensions: 17<sup>1</sup>/<sub>16</sub>" W x 16<sup>7</sup>/<sub>8</sub>" L
- One floor wine cradle for storage of 5 bottles

BUILD YOUR TRUE

Customize your True with a variety of finish and hardware options at [true-residential.com/custom](http://true-residential.com/custom).




TUWADA-24-RS-A~O

SPECIFICATIONS

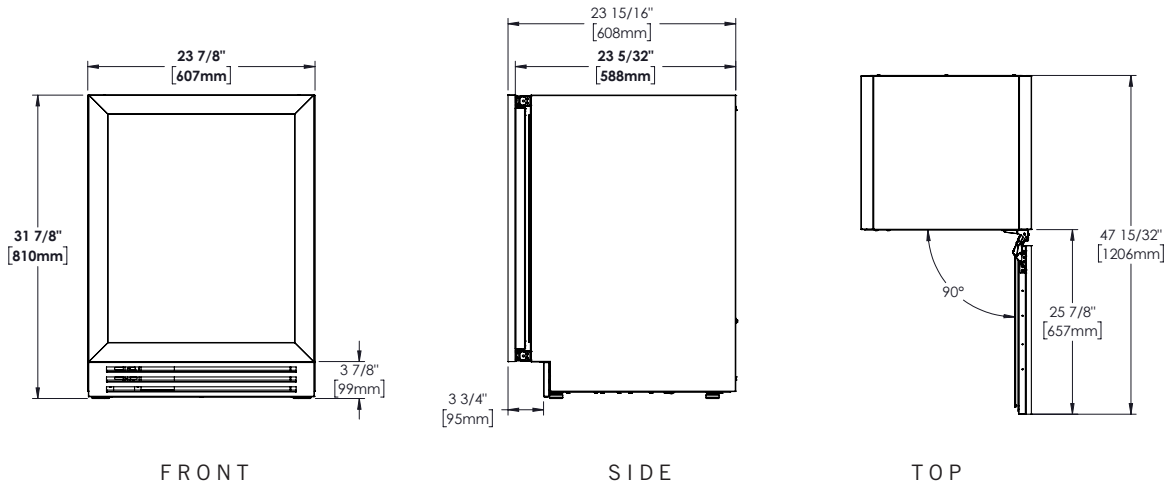
Dimensions (w x h x d)	23 <sup>7</sup> / <sub>16</sub> " x 31 <sup>7</sup> / <sub>16</sub> " x 23 <sup>5</sup> / <sub>32</sub> "
Cutout Dimensions (w x h x d)	24" x 32" x 24"
Standard Overlay Panel (w x h x d)	23 <sup>5</sup> / <sub>8</sub> " x 28" x 3/4"

Panel provided by others. Other installation options available. Consult install guide for details.

Capacity (bottles)	40
Temperature Range	40° - 65°F (4.4° - 18.3°C)
Weight (lbs.)	225
Voltage	115/60/1  115/60/1 NEMA-5-15R
Amps	0.8
Annual Energy Consumption (kWh)	195
Power Cord Length (ft.)	10
Energy Star Rated	—

24" OVERLAY PANEL READY WINE CABINET

TUWADA-24-LS/RS-A~O – (shown with a 3/4" cabinetry panel.)



OPENING DIMENSIONS



MODEL OPTIONS

MODEL	FINISH
TUWADA-24-LS-A~O	Overlay panel ready solid door, left hinged
TUWADA-24-RS-A~O	Overlay panel ready solid door, right hinged

Stainless steel version also available

ACCESSORIES (OPTIONAL)

- 2 1/2" legs
- 6" toe kick

WARRANTY

- 2 year full – parts & labor
- 5 year sealed system – parts & labor