

24" OVERLAY GLASS DOOR WINE CABINET

TUWADA-24-LG/RG-A~O

TUWADA-24-RG-A~O (Right hinged, standard)

TUWADA-24-LG-A~O (Left hinged, special order)

FEATURES

- 32" height allows for installation under ADA-compliant counter top
- Articulating, soft close hinge allows fully integrated, flexible installations
- Field-reversible hinge allows for flexibility in the field
- Sleek black aluminum interior
- Black powder coated steel exterior
- Five pull-out PVC coated wire wine racks for storage of 7 bottles each and one floor wine cradle for storage of 5 bottles, 40 bottles total.
- Forced air refrigeration system which maintains 40°– 65°F (4.4°– 18.3°C)
- Environmentally friendly R600a refrigerant
- Concealed digital temperature controls allows for precise temperature management
- White LED lighting illuminates your product
- UL-rated for outdoor use
- Unit comes standard with 4 adjustable leg levelers
- NSF/ANSI Standard 7 compliant for packaged food product

ORGANIZATION

- Five pull-out PVC coated wire wine racks for storage of 7 bottles each
 - Shelf dimensions: 17¹/₁₆" W x 16⁷/₈" L
- One floor wine cradle for storage of 5 bottles

BUILD YOUR TRUE

Customize your True with a variety of finish and hardware options at true-residential.com.

CUSTOMIZATION



SPECIFICATIONS

Dimensions* (w x h x d) 23⁷/₁₆" x 31⁷/₁₆" x 23⁵/₃₂"

Cutout Dimensions (w x h x d) 24" x 32" x 24"

Standard Overlay Panel (w x h x d) 23⁵/₁₆" x 28" x 3/4"

Panel provided by others. Other installation options available.

Consult install guide for details.

Capacity (bottles) 40

Temperature Range 40°- 65°F (4.4°- 18.3°C)

Weight (lbs.) 225

Voltage 115/60/1 115/60/1 NEMA-5-15R

Amps 0.8

Annual Energy Consumption (kWh) 195

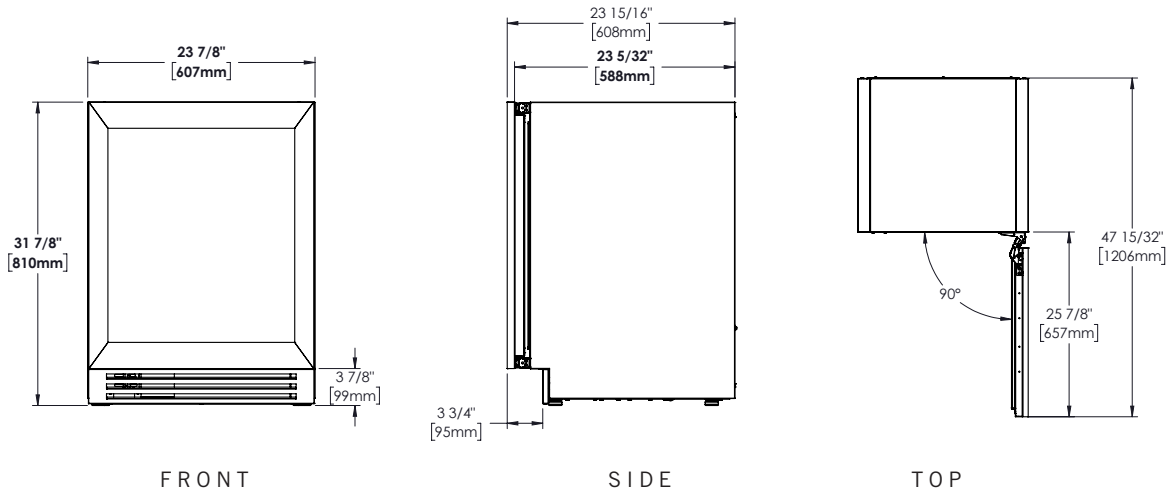
Power Cord Length (ft.) 10

Energy Star Rated —

*Dimensions may vary +/- 1/8"

24" OVERLAY GLASS DOOR WINE CABINET

TUWADA-24-LG/RG-A~O – (shown with a 3/4" cabinetry panel.)



OPENING DIMENSIONS



MODEL OPTIONS

MODEL	FINISH
TUWADA-24-LG-A~O	Overlay glass door, left hinged
TUWADA-24-RG-A~O	Overlay glass door, right hinged

Stainless steel version also available

ACCESSORIES (OPTIONAL)

- 2 1/2" legs
- 6" toe kick

WARRANTY

- 2 year full – parts & labor
- 5 year sealed system – parts & labor

