

24" OVERLAY PANEL READY DOOR UNDERCOUNTER REFRIGERATOR

TURADA-24-LS/RS-A~O

TURADA-24-RS-A~O (Right hinged, standard)

TURADA-24-LS-A~O (Left hinged, special order)

FEATURES

- 32" height allows for installation under ADA-compliant counter top.
- Articulating, soft close hinge allows fully integrated, flexible installations.
- Field-reversible hinge allows for flexibility in the field.
- Sleek black aluminum interior.
- Black powder coated steel exterior.
- Forced air refrigeration system which maintains 33°– 41°F (0.5°– 5°C).
- Environmentally friendly R600a refrigerant.
- Concealed digital temperature controls allows for precise temperature management.
- White LED lighting illuminates your product.
- UL-rated for outdoor use.
- Unit comes standard with 4 adjustable leg levelers.
- NSF/ANSI Standard 7 compliant for packaged food product.

ORGANIZATION

- Two adjustable heavy-duty PVC coated black wire shelves allow for adjustable organization options.
 - Shelf dimensions: 19⁵/₈" W x 17" L.

BUILD YOUR TRUE

Customize your True with a variety of finish and hardware options at true-residential.com/custom.



TURADA-24-RS-A~O

SPECIFICATIONS

Dimensions (w x h x d) 23⁷/₈" x 31⁷/₈" x 23⁵/₈"

Cutout Dimensions (w x h x d) 24" x 32" x 24"

Standard Overlay Panel (w x h x d) 23⁵/₈" x 28" x 3/4"

Panel provided by others. Other installation options available.
Consult install guide for details.

Capacity (cu. ft.) 5.0

Temperature Range 33°– 41°F (0.5°– 5°C)

Weight (lbs.) 145

Voltage 115/60/1 115/60/1 NEMA-5-15R

Amps 0.8

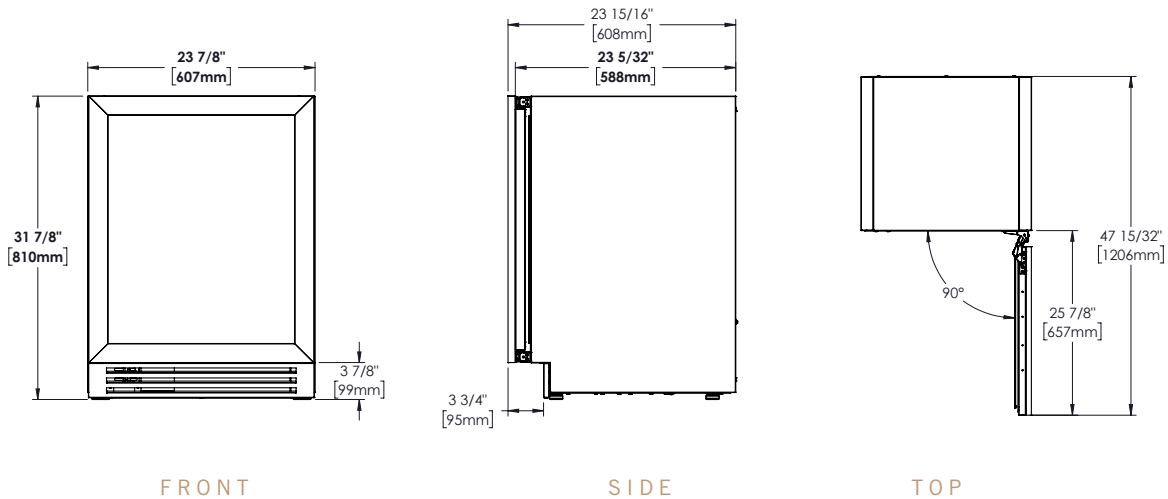
Annual Energy Consumption (kWh) 275

Power Cord Length (ft.) 10

Energy Star Rated Yes

24" OVERLAY PANEL READY DOOR UNDERCOUNTER REFRIGERATOR

TURADA-24-LS/RS-A~O – (shown with a 3/4" cabinetry panel.)



OPENING DIMENSIONS



MODEL OPTIONS

MODEL	FINISH
TURADA-24-LS-A~O	Overlay panel ready solid door, left hinged
TURADA-24-RS-A~O	Overlay panel ready solid door, right hinged

Stainless steel version also available.

ACCESSORIES (OPTIONAL)

- 2 1/2" legs
- 6" toe kick

WARRANTY

2 year full – parts & labor • 5 year sealed system – parts & labor