

24" OVERLAY GLASS DOOR UNDERCOUNTER REFRIGERATOR

TURADA-24-LG/RG-A~O

TURADA-24-RG-A~O (Right hinged, standard)

TURADA-24-LG-A~O (Left hinged, special order)

FEATURES

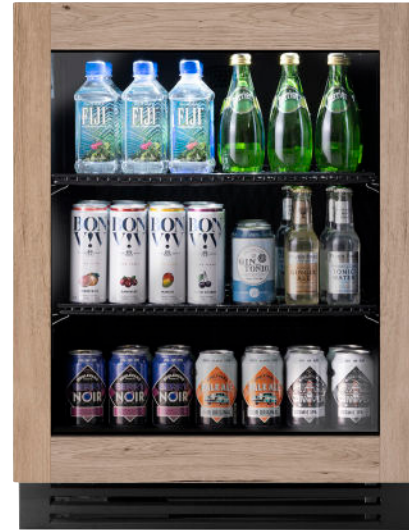
- 32" height allows for installation under ADA-compliant counter top
- Articulating, soft close hinge allows fully integrated, flexible installations
- Field-reversible hinge allows for flexibility in the field
- Sleek black aluminum interior
- Black powder coated steel exterior
- Forced air refrigeration system which maintains 33°– 41°F (0.5°– 5°C)
- Environmentally friendly R600a refrigerant
- Concealed digital temperature controls allows for precise temperature management
- White LED lighting illuminates your product
- UL-rated for outdoor use
- Unit comes standard with 4 adjustable leg levelers
- NSF/ANSI Standard 7 compliant for packaged food product

ORGANIZATION

- Two adjustable heavy-duty PVC coated black wire shelves allow for adjustable organization options
 - Shelf dimensions: 19 5/8" W x 17" L

BUILD YOUR TRUE

Customize your True with a variety of finish and hardware options at true-residential.com.



SPECIFICATIONS

Dimensions* (w x h x d) 23 7/8" x 31 7/8" x 23 5/32"

Cutout Dimensions (w x h x d) 24" x 32" x 24"

Standard Overlay Panel (w x h x d) 23 5/8" x 28" x 3/4"

Panel provided by others. Other installation options available. Consult install guide for details.

Capacity (cu. ft.) 5.0

Temperature Range 33°- 41°F (0.5°- 5°C)

Weight (lbs.) 145

Voltage 115/60/1 115/60/1 NEMA-5-15R

Amps 0.8

Annual Energy Consumption (kWh) 275

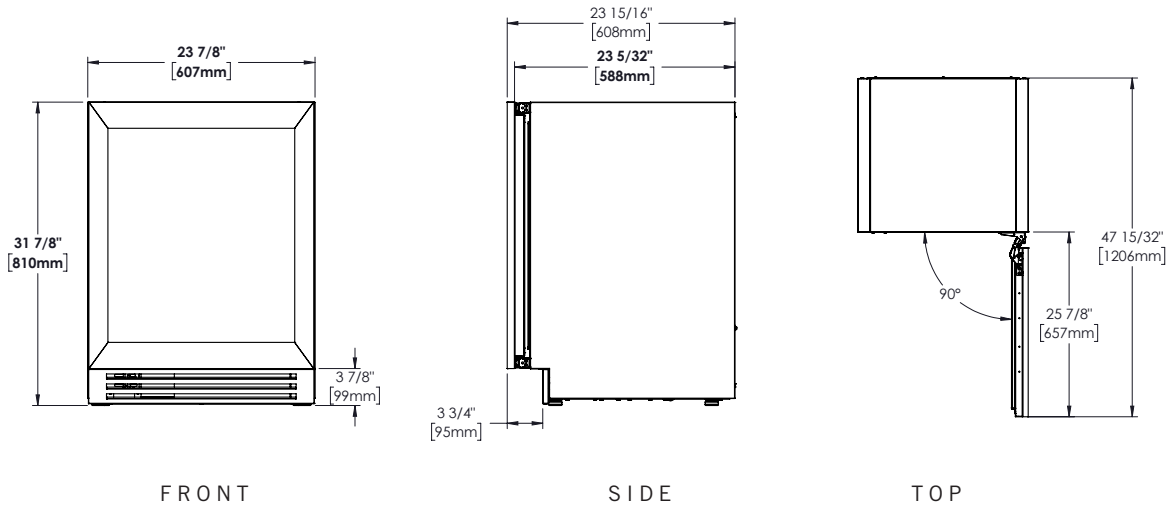
Power Cord Length (ft.) 10

Energy Star Rated Yes

*Dimensions may vary +/- 1/8"

24" OVERLAY GLASS DOOR UNDERCOUNTER REFRIGERATOR

TURADA-24-LG/RG-A~O – (shown with a 3/4" cabinetry panel.)



OPENING DIMENSIONS



MODEL OPTIONS

MODEL	FINISH
TURADA-24-LG-A~O	Overlay panel ready glass door, left hinged
TURADA-24-RG-A~O	Overlay panel ready glass door, right hinged

Stainless steel version also available

ACCESSORIES (OPTIONAL)

- 2 1/2" legs
- 6" toe kick

WARRANTY

- 2 year full – parts & labor
- 5 year sealed system – parts & labor

