

24" OVERLAY GLASS DOOR BEVERAGE CENTER

TUBADA-24-LG/RG-A~O

TUBADA-24-RG-A~O (Right hinged, standard)

TUBADA-24-LG-A~O (Left hinged, special order)

FEATURES

- 32" height allows for installation under ADA-compliant counter top
- Articulating, soft close hinge allows fully integrated, flexible installations
- Field-reversible hinge allows for flexibility in the field
- Sleek black aluminum interior
- Black powder coated steel exterior
- One pull-out PVC coated wire wine rack and one floor wine cradle for storage of 12 total bottles
- Forced air refrigeration system which maintains 33°– 41°F (0.5°– 5°C)
- Environmentally friendly R600a refrigerant
- Concealed digital temperature controls allows for precise temperature management
- White LED lighting illuminates your product
- UL-rated for outdoor use
- Unit comes standard with 4 adjustable leg levelers
- NSF/ANSI Standard 7 compliant for packaged food product

ORGANIZATION

- Two adjustable heavy-duty PVC coated black wire shelves allow for adjustable organization options
  - Shelf dimensions: 19<sup>5</sup>/<sub>8</sub>" W x 17" L
- One pull-out PVC coated wire wine rack for storage of 7 bottles
  - Shelf dimensions: 17<sup>1</sup>/<sub>16</sub>" W x 16<sup>7</sup>/<sub>8</sub>" L
- One floor wine cradle for storage of 5 bottles

BUILD YOUR TRUE

Customize your True with a variety of finish and hardware options at [true-residential.com](http://true-residential.com).



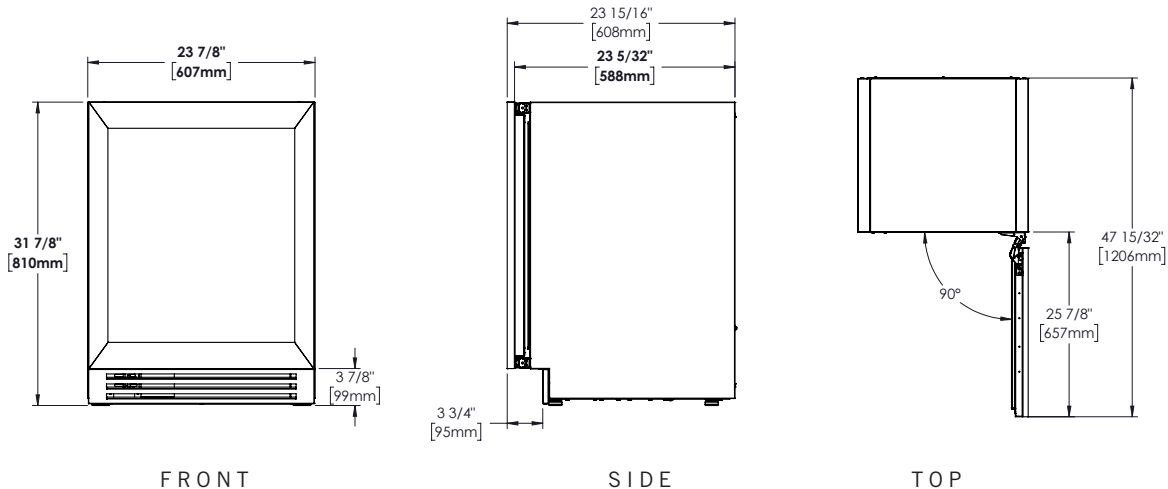
SPECIFICATIONS

Dimensions* (w x h x d)	23 <sup>7</sup> / <sub>8</sub> " x 31 <sup>7</sup> / <sub>8</sub> " x 23 <sup>5</sup> / <sub>8</sub> "
Cutout Dimensions (w x h x d)	24" x 32" x 24"
Standard Overlay Panel (w x h x d)	23 <sup>5</sup> / <sub>8</sub> " x 28" x 3/4"
Panel provided by others. Other installation options available. Consult install guide for details.	
Capacity	5.0
Temperature Range	33°- 41°F (0.5°- 5°C)
Weight (lbs.)	145
Voltage	115/60/1  115/60/1 NEMA-5-15R
Amps	0.8
Annual Energy Consumption (kWh)	275
Power Cord Length (ft.)	10
Energy Star Rated	Yes

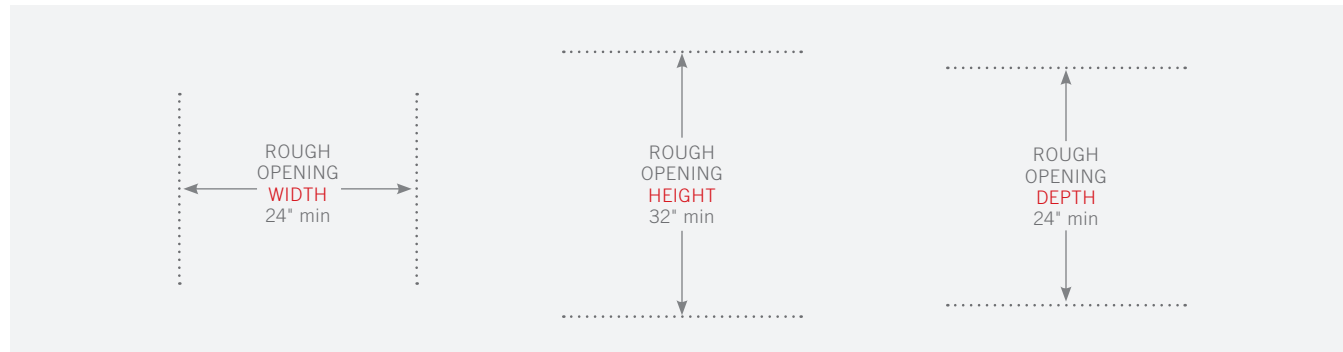
\*Dimensions may vary +/- 1/8"

24" OVERLAY GLASS DOOR BEVERAGE CENTER

TUBADA-24-LG/RG-A~O – (shown with a 3/4" cabinetry panel.)



OPENING DIMENSIONS



MODEL OPTIONS

MODEL	FINISH
TURADA-24-LG-A~O	Overlay glass door, left hinged
TURADA-24-RG-A~O	Overlay glass door, right hinged

Stainless steel version also available

ACCESSORIES (OPTIONAL)

- 2 1/2" legs
- 6" toe kick

WARRANTY

- 2 year full – parts & labor
- 5 year sealed system – parts & labor



24" OVERLAY PANEL READY DOOR BEVERAGE CENTER

TUBADA-24-LS/RS-A~O

TUBADA-24-RS-A~O (Right hinged, standard)

TUBADA-24-LS-A~O (Left hinged, special order)

FEATURES

- 32" height allows for installation under ADA-compliant counter top
- Articulating, soft close hinge allows fully integrated, flexible installations
- Field-reversible hinge allows for flexibility in the field
- Sleek black aluminum interior
- Black powder coated steel exterior
- One pull-out PVC coated wire wine rack and one floor wine cradle for storage of 12 total bottles
- Forced air refrigeration system which maintains 33°– 41°F (0.5°– 5°C)
- Environmentally friendly R600a refrigerant
- Concealed digital temperature controls allows for precise temperature management
- White LED lighting illuminates your product
- UL-rated for outdoor use
- Unit comes standard with 4 adjustable leg levelers
- NSF/ANSI Standard 7 compliant for packaged food product

ORGANIZATION


- Two adjustable heavy-duty PVC coated black wire shelves allow for adjustable organization options
  - Shelf dimensions: 19<sup>5</sup>/<sub>8</sub>"W x 17" L
- One pull-out PVC coated wire wine rack for storage of 7 bottles
  - Shelf dimensions: 17<sup>1</sup>/<sub>16</sub>"W x 16<sup>7</sup>/<sub>8</sub>" L
- One floor wine cradle for storage of 5 bottles

BUILD YOUR TRUE

Customize your True with a variety of finish and hardware options at [true-residential.com](http://true-residential.com).



SPECIFICATIONS

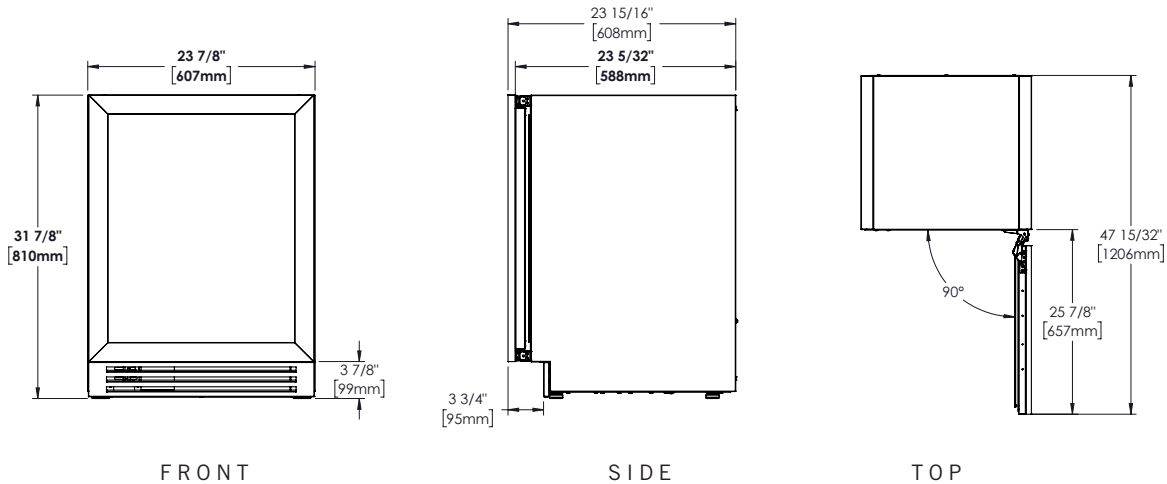
Dimensions* (w x h x d)	23 <sup>7</sup> / <sub>8</sub> " x 31 <sup>7</sup> / <sub>8</sub> " x 23 <sup>5</sup> / <sub>32</sub> "
Cutout Dimensions (w x h x d)	24" x 32" x 24"
Standard Overlay Panel (w x h x d)	23 <sup>5</sup> / <sub>8</sub> " x 28" x 3/4"
Panel provided by others. Other installation options available. Consult install guide for details.	
Capacity	5.0
Temperature Range	33°- 41°F (0.5°- 5°C)
Weight (lbs.)	145
Voltage	115/60/1  115/60/1 NEMA-5-15R
Amps	0.8
Annual Energy Consumption (kWh)	275
Power Cord Length (ft.)	10
Energy Star Rated	Yes

\*Dimensions may vary +/- 1/8"

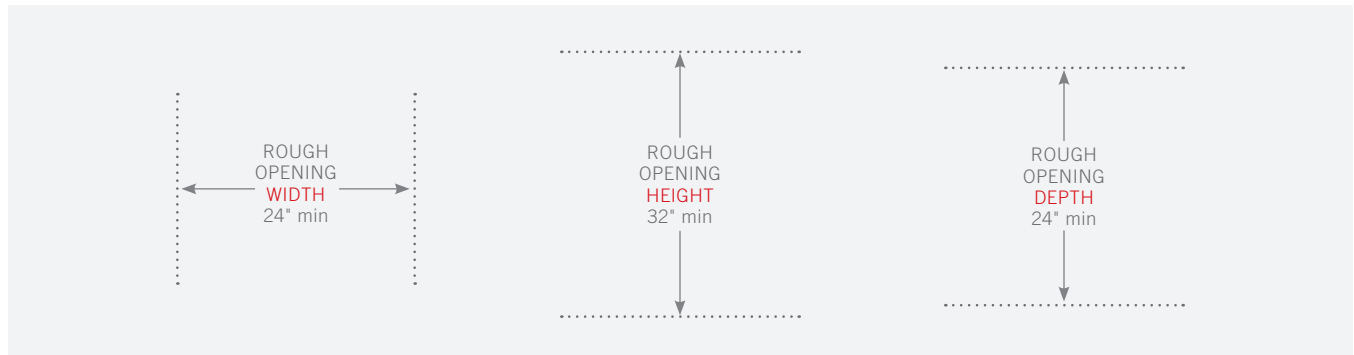


24" OVERLAY PANEL READY DOOR BEVERAGE CENTER

TUBADA-24-LS/RS-A~O – (shown with a 3/4" cabinetry panel.)



OPENING DIMENSIONS



MODEL OPTIONS

MODEL	FINISH
TUBADA-24-LS-A~O	Overlay panel ready solid door, left hinged
TUBADA-24-RS-A~O	Overlay panel ready solid door, right hinged

Stainless steel version also available

ACCESSORIES (OPTIONAL)

- 2 1/2" legs
- 6" toe kick

WARRANTY

- 2 year full – parts & labor
- 5 year sealed system – parts & labor



24" STAINLESS GLASS DOOR BEVERAGE CENTER

TUBADA-24-LG/RG-A~S

TUBADA-24-RG-A~S (Right hinged, standard)

TUBADA-24-LG-A~S (Left hinged, special order)

FEATURES

- 32" height allows for installation under ADA-compliant counter top
- Articulating, soft close hinge allows fully integrated, flexible installations
- Field-reversible hinge allows for flexibility in the field
- Sleek black aluminum interior
- Black powder coated steel exterior
- One pull-out PVC coated wire wine rack and one floor wine cradle for storage of 12 total bottles
- Forced air refrigeration system which maintains 33°– 41°F (0.5°– 5°C)
- Environmentally friendly R600a refrigerant
- Concealed digital temperature controls allows for precise temperature management
- White LED lighting illuminates your product
- UL-rated for outdoor use
- Unit comes standard with 4 adjustable leg levelers
- Lock standard on stainless steel models
- NSF/ANSI Standard 7 compliant for packaged food product

ORGANIZATION

- Two adjustable heavy-duty PVC coated black wire shelves allow for adjustable organization options
  - Shelf dimensions: 19<sup>5</sup>/<sub>8</sub>" W x 17" L
- One pull-out PVC coated wire wine rack for storage of 7 bottles
  - Shelf dimensions: 17<sup>9</sup>/<sub>16</sub>" W x 16<sup>7</sup>/<sub>8</sub>" L
- One floor wine cradle for storage of 5 bottles

BUILD YOUR TRUE

Customize your True with a variety of finish and hardware options at [true-residential.com](http://true-residential.com).



SPECIFICATIONS

Dimensions\* (w x h x d) 23<sup>7</sup>/<sub>8</sub>" x 31<sup>7</sup>/<sub>8</sub>" x 23<sup>15</sup>/<sub>16</sub>"

Cutout Dimensions (w x h x d) 24" x 32" x 24"

Other installation options available, consult install guide

Capacity 5.0

Temperature Range 33° - 41°F (0.5° - 5°C)

Weight (lbs.) 145

Voltage 115/60/1 115/60/1 NEMA-5-15R

Amps 0.8

Annual Energy Consumption (kWh) 275

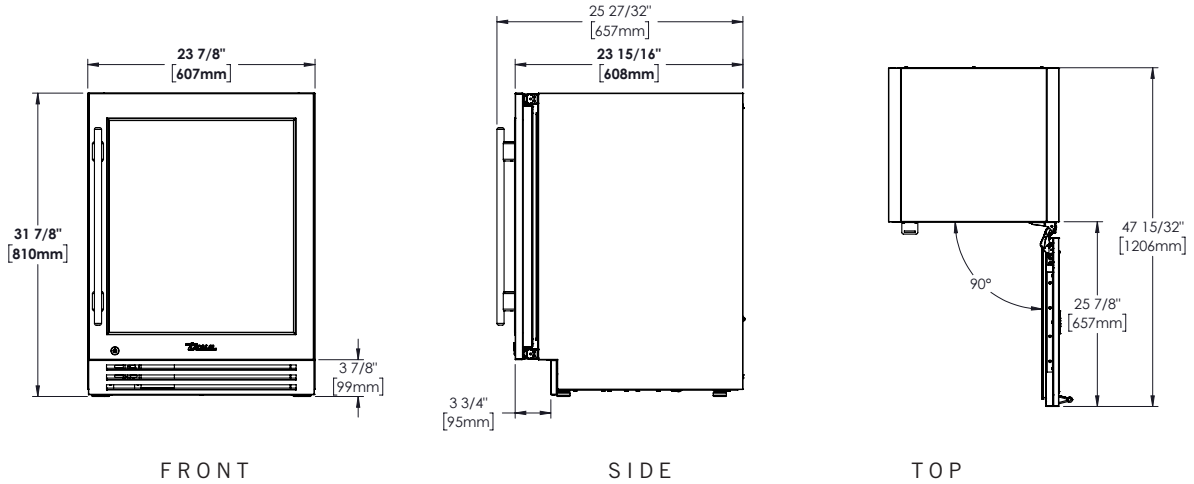
Power Cord Length (ft.) 10

Energy Star Rated Yes

\*Dimensions may vary +/- 1/8"

24" STAINLESS GLASS DOOR BEVERAGE CENTER

TUBADA-24-LG/RG-A~S



OPENING DIMENSIONS



MODEL OPTIONS

MODEL	FINISH
TUBADA-24-LG-A~S	Stainless glass door, left hinged
TUBADA-24-RG-A~S	Stainless glass door, right hinged

Overlay panel version also available

ACCESSORIES (OPTIONAL)

- 2 1/2" legs
- 6" toe kick

WARRANTY

- 2 year full – parts & labor
- 5 year sealed system – parts & labor



24" STAINLESS SOLID DOOR BEVERAGE CENTER

TUBADA-24-LS/RS-A~S

TUBADA-24-RS-A~S (Right hinged, standard)

TUBADA-24-LS-A~S (Left hinged, special order)

FEATURES

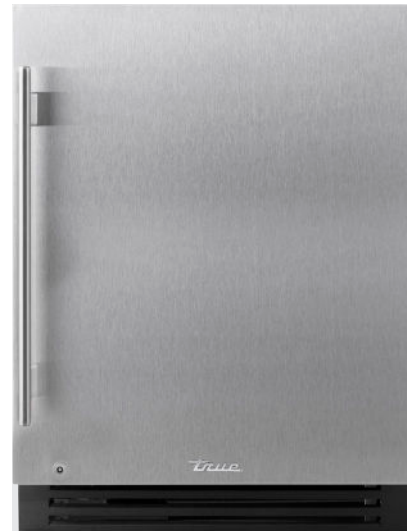
- 32" height allows for installation under ADA-compliant counter top
- Articulating, soft close hinge allows fully integrated, flexible installations
- Field-reversible hinge allows for flexibility in the field
- Sleek black aluminum interior
- Black powder coated steel exterior
- One pull-out PVC coated wire wine rack and one floor wine cradle for storage of 12 total bottles
- Forced air refrigeration system which maintains 33°– 41°F (0.5°– 5°C)
- Environmentally friendly R600a refrigerant
- Concealed digital temperature controls allows for precise temperature management
- White LED lighting illuminates your product
- UL-rated for outdoor use
- Unit comes standard with 4 adjustable leg levelers
- Lock standard on stainless steel models
- NSF/ANSI Standard 7 compliant for packaged food product

ORGANIZATION

- Two adjustable heavy-duty PVC coated black wire shelves allow for adjustable organization options
  - Shelf dimensions: 19<sup>5</sup>/<sub>8</sub>" W x 17" L
- One pull-out PVC coated wire wine rack for storage of 7 bottles
  - Shelf dimensions: 17<sup>9</sup>/<sub>16</sub>" W x 16<sup>7</sup>/<sub>8</sub>" L
- One floor wine cradle for storage of 5 bottles

BUILD YOUR TRUE

Customize your True with a variety of finish and hardware options at [true-residential.com](http://true-residential.com).



SPECIFICATIONS

Dimensions\* (w x h x d) 23<sup>7</sup>/<sub>8</sub>" x 31<sup>7</sup>/<sub>8</sub>" x 23<sup>15</sup>/<sub>16</sub>"

Cutout Dimensions (w x h x d) 24" x 32" x 24"

Other installation options available, consult install guide

Capacity 5.0

Temperature Range 33° - 41°F (0.5° - 5°C)

Weight (lbs.) 145

Voltage 115/60/1 115/60/1 NEMA-5-15R

Amps 0.8

Annual Energy Consumption (kWh) 275

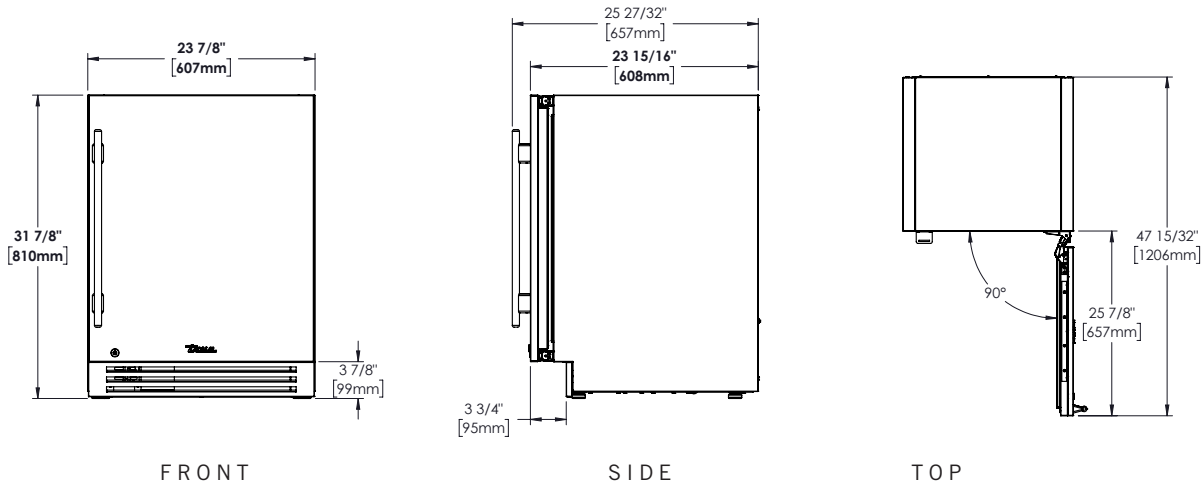
Power Cord Length (ft.) 10

Energy Star Rated Yes

\*Dimensions may vary +/- 1/8"

24" STAINLESS SOLID DOOR BEVERAGE CENTER

TUBADA-24-LS/RS-A~S



OPENING DIMENSIONS



MODEL OPTIONS

MODEL	FINISH
TUBADA-24-LS-A~S	Stainless solid door, left hinged
TUBADA-24-RS-A~S	Stainless sold door, right hinged

Overlay panel version also available

ACCESSORIES (OPTIONAL)

- 2 1/2" legs
- 6" toe kick

WARRANTY

- 2 year full – parts & labor
- 5 year sealed system – parts & labor





15" OVERLAY PANEL DOOR CLEAR ICE MACHINE — ADA

TUIADA-15-RS/LS-A~O

TUIADA-15-RS-A~O (Right hinged)

TUIADA-15-LS-A~O (Left hinged)

FEATURES

- Articulating, soft close hinge allows fully integrated, flexible installations.
- Produces up to 75lbs. of clear ice per day with a storage capacity of 28lbs.
- Bin Level Control for entertaining flexibility (50%, 65%, 70%, 85%, 100%).
- Patented TruLumina® LED lighting gently illuminates your product and allows you to choose from 14 different color options with the push of a button.
- Concealed digital control located behind toekick.
- Exclusive True Magna Scoop for easy storage on door.
- Industry exclusive, standard built-in drain pump.
- External water filter kit included – rated up to 1250 gallons.
- Automatic cleaning system.
- All undercounter models UL rated for outdoor use.
- Environmentally friendly R290 refrigerant.
- Energy Star rated.

BUILD YOUR TRUE

Customize your True with a variety of finish and hardware options at [true-residential.com](http://true-residential.com).

CUSTOMIZATION



SPECIFICATIONS

Dimensions\* (w x h x d) 14<sup>7</sup>/<sub>8</sub>" x 31<sup>7</sup>/<sub>8</sub>" x 23<sup>19</sup>/<sub>32</sub>"

Cutout Dimensions (w x h x d) 15" x 32" x 24"

Standard Overlay Panel (w x h x d) 14<sup>5</sup>/<sub>8</sub>" x 27<sup>7</sup>/<sub>8</sub>" x 3<sup>3</sup>/<sub>4</sub>"

Panel provided by others. Other installation options available. Consult install guide for details.

Operating Requirements

Air Temperature 40°F – 100°F  
 Water Temperature 40°F – 100°F  
 Water Pressure (PSIG) 20 – 80

Maximum Ice Capacity (lbs/day) 75  
 Rated Ice Capacity (lbs/day) 75  
 Rated Ice Storage (lbs) 28  
 Rated Energy Consumption (kWh/lbs) 6.65 / 100  
 Rated Water Consumption (Gal/lbs) 24.2 / 100

Plumbing

**Water Supply:** ¼" OD copper, braided stainless steel or PEX tubing and compression fittings (not included).  
**Drain Pump Connection:** ½" NPT.

Weight (lbs.) 140

Voltage 115/60/1 115/60/1 NEMA-5-15R

Amps 2.85

Power Cord Length (ft.) 9

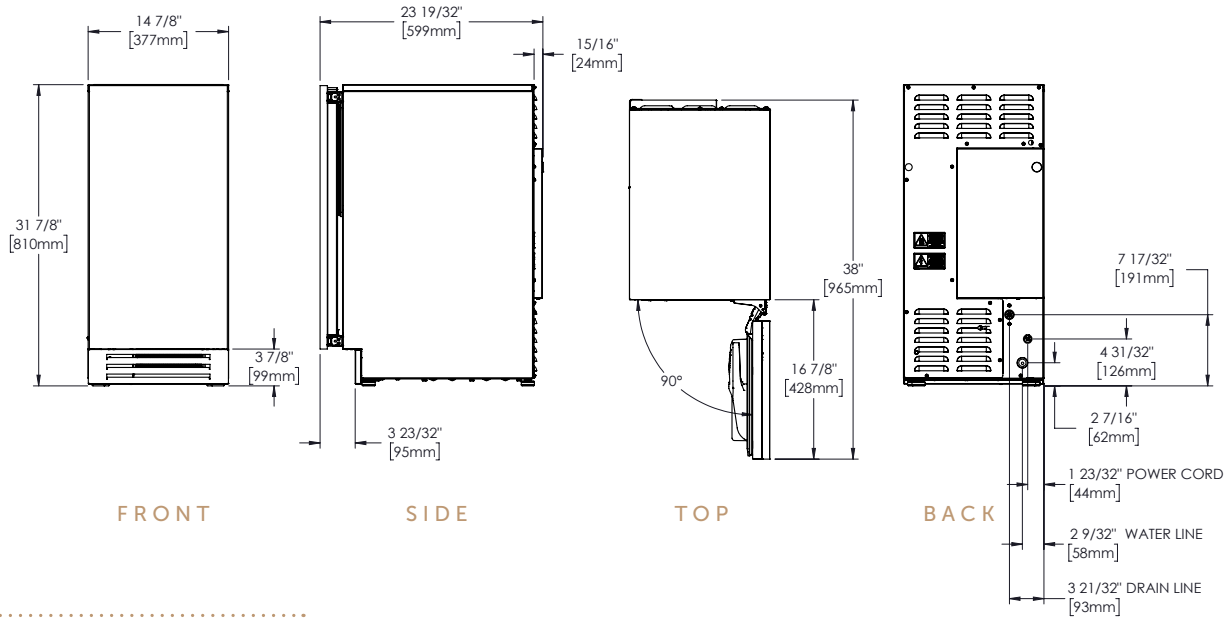
Energy Star Rated Yes

\*NOTE: Overlay models have black powder coated steel exteriors.

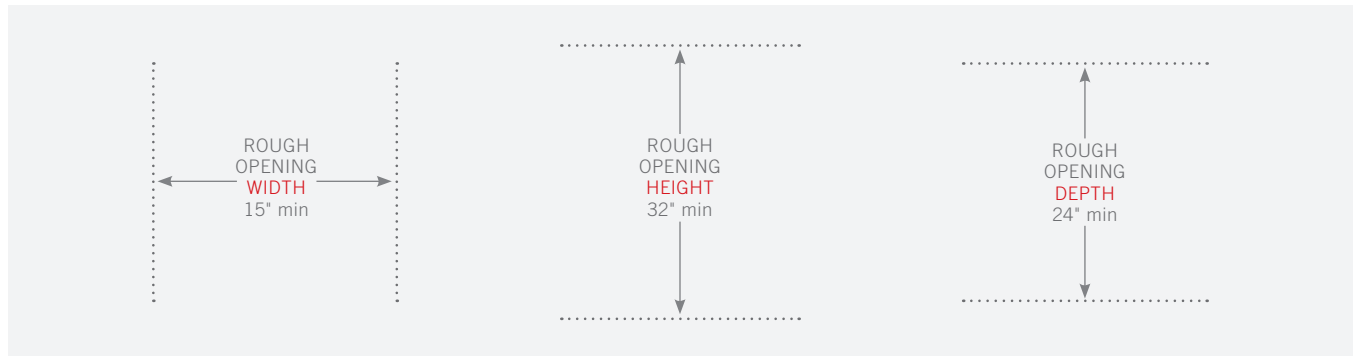
\*Dimensions may vary +/- 1/8"

15" OVERLAY PANEL DOOR CLEAR ICE MACHINE — ADA

TUIADA-15-RS/LS-A~O — (shown with a 3/4" cabinetry panel)



OPENING DIMENSIONS



MODEL OPTIONS

MODEL	FINISH
TUIADA-15-RS-A~O	Overlay panel right-hinged
TUIADA-15-LS-A~O	Overlay panel left-hinged

ACCESSORIES (OPTIONAL)

- Descaling solution
- Replacement water filter
- Anti-condensation pads

WARRANTY

- 2 year full – parts & labor
- 5 year sealed system – parts & labor



15" STAINLESS SOLID DOOR CLEAR ICE MACHINE – ADA

TUIADA-15-RS/LS-A~S

TUIADA-15-RS-A~S (Right hinged)

TUIADA-15-LS-A~S (Left hinged)

FEATURES

- Articulating, soft close hinge allows fully integrated, flexible installations.
- Produces up to 75lbs. of clear ice per day with a storage capacity of 28lbs.
- Bin Level Control for entertaining flexibility (50%, 65%, 70%, 85%, 100%).
- Patented TruLumina® LED lighting gently illuminates your product and allows you to choose from 14 different color options with the push of a button.
- Concealed digital control located behind toekick.
- Exclusive True Magna Scoop for easy storage on door.
- Industry exclusive, standard built-in drain pump.
- External water filter kit included – rated up to 1250 gallons.
- Automatic cleaning system.
- All undercounter models UL rated for outdoor use.
- Environmentally friendly R290 refrigerant.
- Energy Star rated.

BUILD YOUR TRUE

Customize your True with a variety of finish and hardware options at [true-residential.com](http://true-residential.com).


CUSTOMIZATION



SPECIFICATIONS

Dimensions* (w x h x d)	14 <sup>7</sup> / <sub>8</sub> " x 31 <sup>7</sup> / <sub>8</sub> " x 23 <sup>19</sup> / <sub>32</sub> "
Cutout Dimensions (w x h x d)	15" x 32" x 24"
Operating Requirements	
Air Temperature	40°F – 100°F
Water Temperature	40°F – 100°F
Water Pressure (PSIG)	20 – 80
Maximum Ice Capacity (lbs/day)	75
Rated Ice Capacity (lbs/day)	75
Rated Ice Storage (lbs)	28
Rated Energy Consumption (kWh/lbs)	6.65 / 100
Rated Water Consumption (Gal/lbs)	24.2 / 100

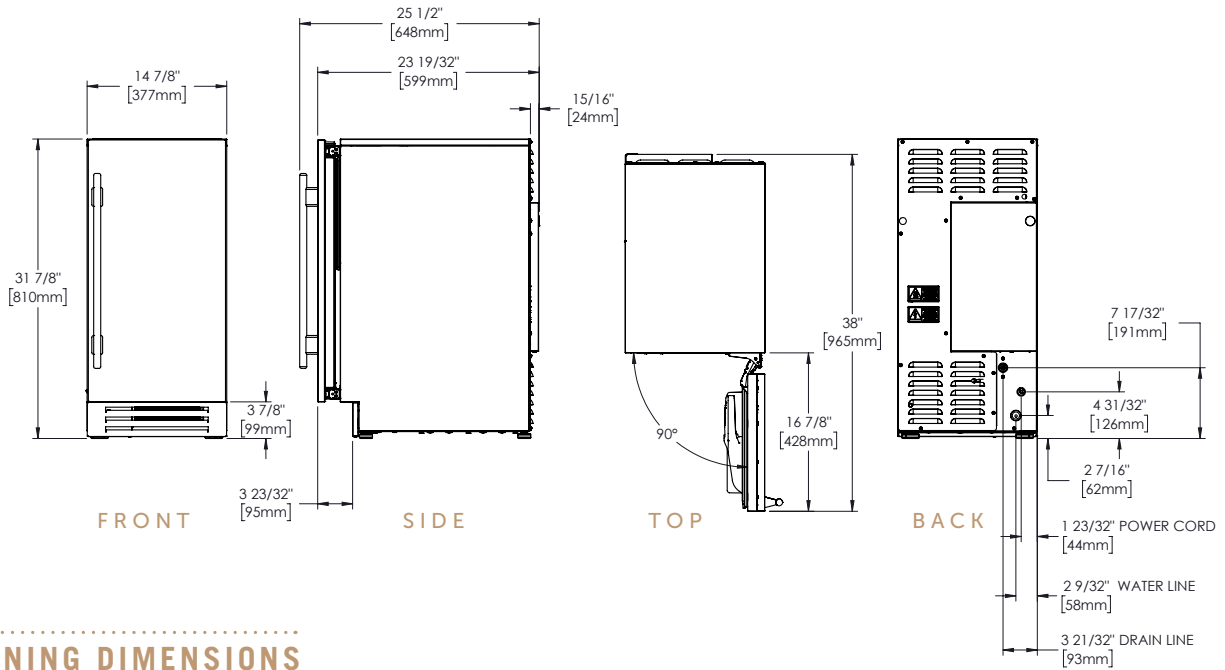
Plumbing **Water Supply:** ¼" OD copper, braided stainless steel or PEX tubing and compression fittings (not included). **Drain Pump Connection:** ½" NPT.

Weight (lbs.)	140
Voltage	115/60/1  115/60/1 NEMA-5-15R
Amps	2.85
Power Cord Length (ft.)	9
Energy Star Rated	Yes

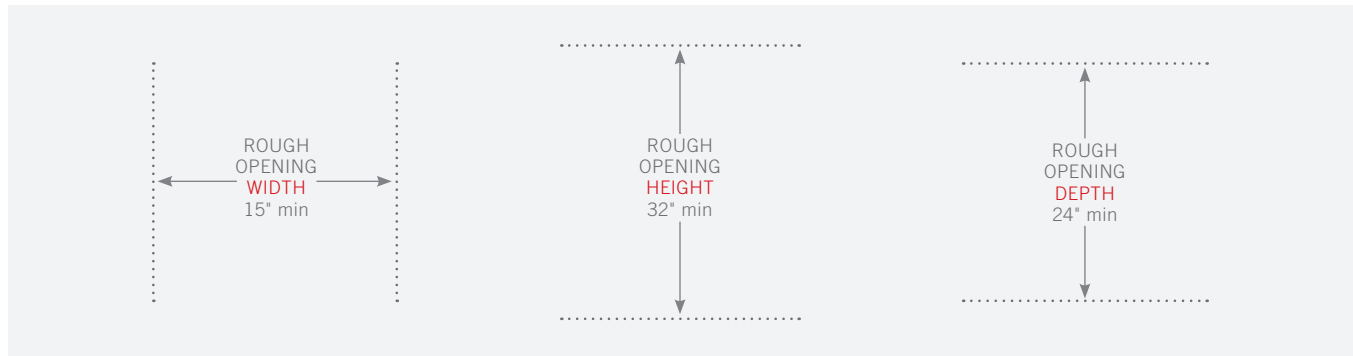
\*Dimensions may vary +/- 1/8"

15" STAINLESS SOLID DOOR CLEAR ICE MACHINE – ADA

TUIADA-15-RS/LS-A~S



OPENING DIMENSIONS



MODEL OPTIONS

MODEL	FINISH
TUIADA-15-RS-A~S	Stainless solid door right-hinged
TUIADA-15-LS-A~S	Stainless solid door left-hinged

ACCESSORIES (OPTIONAL)

- Descaling solution
- Replacement water filter
- Anti-condensation pads

WARRANTY

- 2 year full – parts & labor
- 5 year sealed system – parts & labor



24" OVERLAY GLASS DOOR UNDERCOUNTER REFRIGERATOR

TURADA-24-LG/RG-A~O

TURADA-24-RG-A~O (Right hinged, standard)

TURADA-24-LG-A~O (Left hinged, special order)

FEATURES

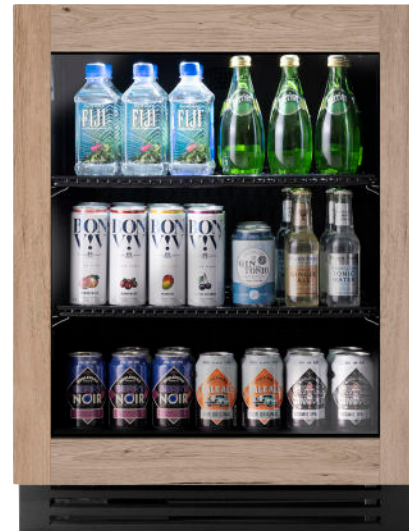
- 32" height allows for installation under ADA-compliant counter top
- Articulating, soft close hinge allows fully integrated, flexible installations
- Field-reversible hinge allows for flexibility in the field
- Sleek black aluminum interior
- Black powder coated steel exterior
- Forced air refrigeration system which maintains 33°– 41°F (0.5°– 5°C)
- Environmentally friendly R600a refrigerant
- Concealed digital temperature controls allows for precise temperature management
- White LED lighting illuminates your product
- UL-rated for outdoor use
- Unit comes standard with 4 adjustable leg levelers
- NSF/ANSI Standard 7 compliant for packaged food product

ORGANIZATION

- Two adjustable heavy-duty PVC coated black wire shelves allow for adjustable organization options
  - Shelf dimensions: 19 5/8" W x 17" L

BUILD YOUR TRUE

Customize your True with a variety of finish and hardware options at [true-residential.com](http://true-residential.com).



SPECIFICATIONS

Dimensions\* (w x h x d) 23 7/8" x 31 7/8" x 23 5/32"

Cutout Dimensions (w x h x d) 24" x 32" x 24"

Standard Overlay Panel (w x h x d) 23 5/8" x 28" x 3/4"

Panel provided by others. Other installation options available. Consult install guide for details.

Capacity (cu. ft.) 5.0

Temperature Range 33°- 41°F (0.5°- 5°C)

Weight (lbs.) 145

Voltage 115/60/1 115/60/1 NEMA-5-15R

Amps 0.8

Annual Energy Consumption (kWh) 275

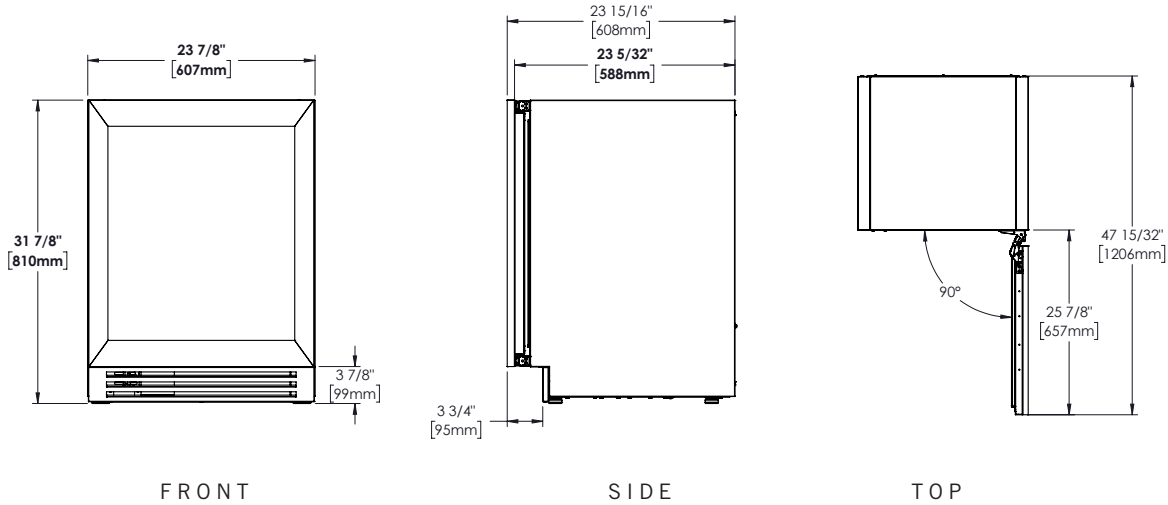
Power Cord Length (ft.) 10

Energy Star Rated Yes

\*Dimensions may vary +/- 1/8"

24" OVERLAY GLASS DOOR UNDERCOUNTER REFRIGERATOR

TURADA-24-LG/RG-A~O – (shown with a 3/4" cabinetry panel.)



OPENING DIMENSIONS



MODEL OPTIONS

MODEL	FINISH
TURADA-24-LG-A~O	Overlay panel ready glass door, left hinged
TURADA-24-RG-A~O	Overlay panel ready glass door, right hinged

Stainless steel version also available

ACCESSORIES (OPTIONAL)

- 2 1/2" legs
- 6" toe kick

WARRANTY

- 2 year full – parts & labor
- 5 year sealed system – parts & labor



24" OVERLAY PANEL READY DOOR UNDERCOUNTER REFRIGERATOR

TURADA-24-LS/RS-A~O

TURADA-24-RS-A~O (Right hinged, standard)

TURADA-24-LS-A~O (Left hinged, special order)

FEATURES

- 32" height allows for installation under ADA-compliant counter top
- Articulating, soft close hinge allows fully integrated, flexible installations
- Field-reversible hinge allows for flexibility in the field
- Sleek black aluminum interior
- Black powder coated steel exterior
- Forced air refrigeration system which maintains 33°– 41°F (0.5°– 5°C)
- Environmentally friendly R600a refrigerant
- Concealed digital temperature controls allows for precise temperature management
- White LED lighting illuminates your product
- UL-rated for outdoor use
- Unit comes standard with 4 adjustable leg levelers
- NSF/ANSI Standard 7 compliant for packaged food product

ORGANIZATION


- Two adjustable heavy-duty PVC coated black wire shelves allow for adjustable organization options
  - Shelf dimensions: 19 5/8" W x 17" L

BUILD YOUR TRUE

Customize your True with a variety of finish and hardware options at [true-residential.com](http://true-residential.com).



SPECIFICATIONS

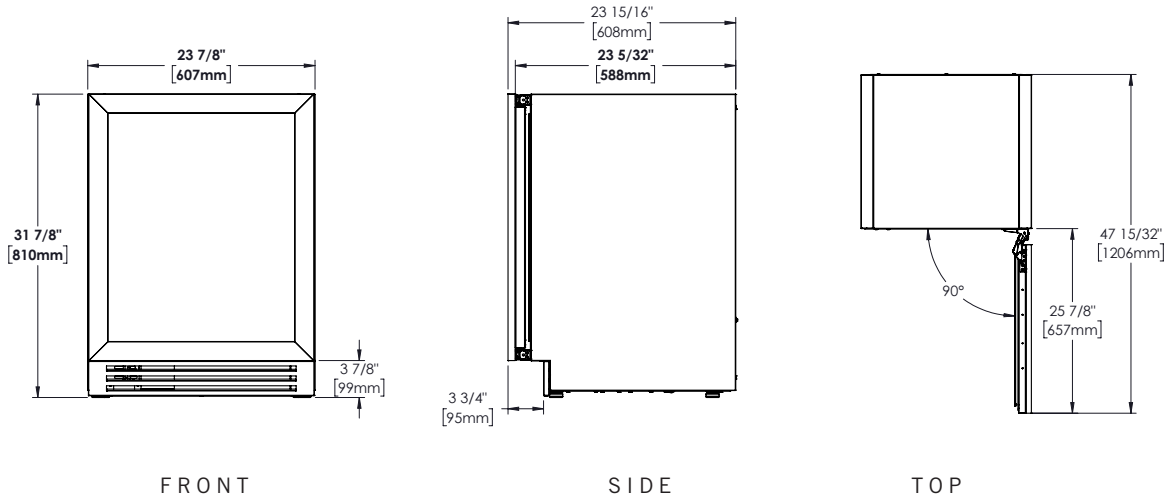
Dimensions* (w x h x d)	23 7/8" x 31 7/8" x 23 5/32"
Cutout Dimensions (w x h x d)	24" x 32" x 24"
Standard Overlay Panel (w x h x d)	23 5/8" x 28" x 3/4"
Panel provided by others. Other installation options available. Consult install guide for details.	
Capacity (cu. ft.)	5.0
Temperature Range	33°– 41°F (0.5°– 5°C)
Weight (lbs.)	145
Voltage	115/60/1  115/60/1 NEMA-5-15R
Amps	0.8
Annual Energy Consumption (kWh)	275
Power Cord Length (ft.)	10
Energy Star Rated	Yes

\*Dimensions may vary +/- 1/8"



24" OVERLAY PANEL READY DOOR UNDERCOUNTER REFRIGERATOR

TURADA-24-LS/RS-A~O – (shown with a 3/4" cabinetry panel.)



OPENING DIMENSIONS



MODEL OPTIONS

MODEL	FINISH
TURADA-24-LS-A~O	Overlay panel ready solid door, left hinged
TURADA-24-RS-A~O	Overlay panel ready solid door, right hinged

Stainless steel version also available

ACCESSORIES (OPTIONAL)

- 2 1/2" legs
- 6" toe kick

WARRANTY

- 2 year full – parts & labor
- 5 year sealed system – parts & labor





24" OVERLAY PANEL READY REFRIGERATOR DRAWERS

TURADA-24-D-A~O

FEATURES

- 32" height allows for installation under ADA-compliant counter top
- Sleek black aluminum interior – stainless steel drawer bin inserts
- Black powder coated steel exterior
- Forced air refrigeration system which maintains 33°– 41°F (0.5°– 5°C)
- Environmentally friendly R600a refrigerant
- Concealed digital temperature controls allows for precise temperature management
- White LED lighting illuminates your product
- UL-rated for outdoor use
- Unit comes standard with 4 adjustable leg levelers
- Lock optional
- NSF/ANSI Standard 7 compliant for packaged food product

BUILD YOUR TRUE

Customize your True with a variety of finish and hardware options at [true-residential.com](http://true-residential.com).

CUSTOMIZATION



SPECIFICATIONS

Dimensions\* (w x h x d) 23 7/8" x 31 7/8" x 23 5/8"

Cutout Dimensions (w x h x d) 24" x 32" x 24"

Standard Overlay Panel (w x h x d) 23 5/8" x 28" x 3/4"

Panel provided by others. Other installation options available.

Consult install guide for details.

Capacity (cu. ft.) 5.0

Temperature Range 33°- 41°F (0.5°- 5°C)

Weight (lbs.) 190

Voltage 115/60/1  115/60/1 NEMA-5-15R

Amps 0.8

Annual Energy Consumption (kWh) 273

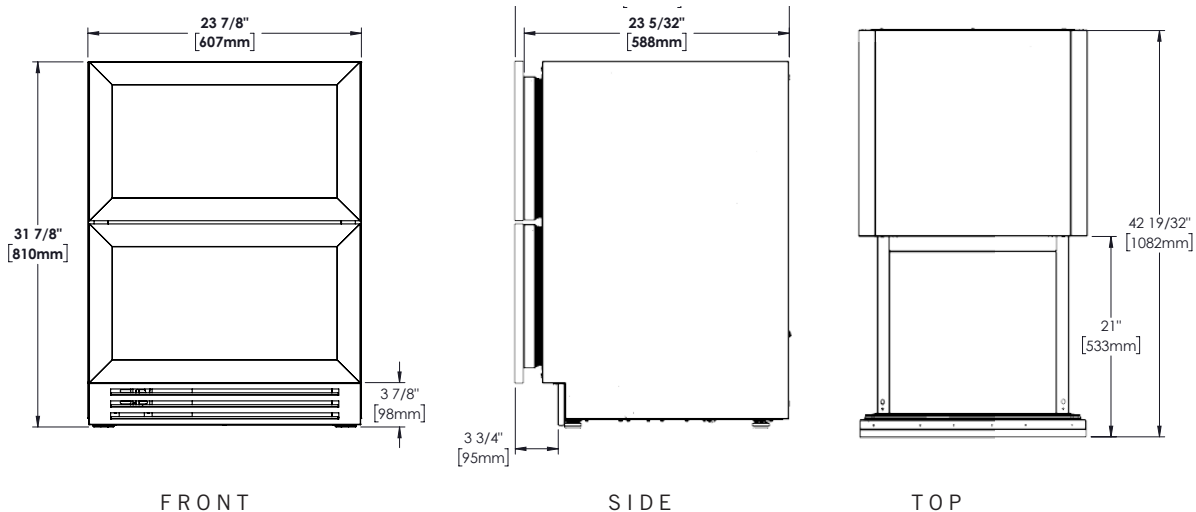
Power Cord Length (ft.) 10

Energy Star Rated Yes

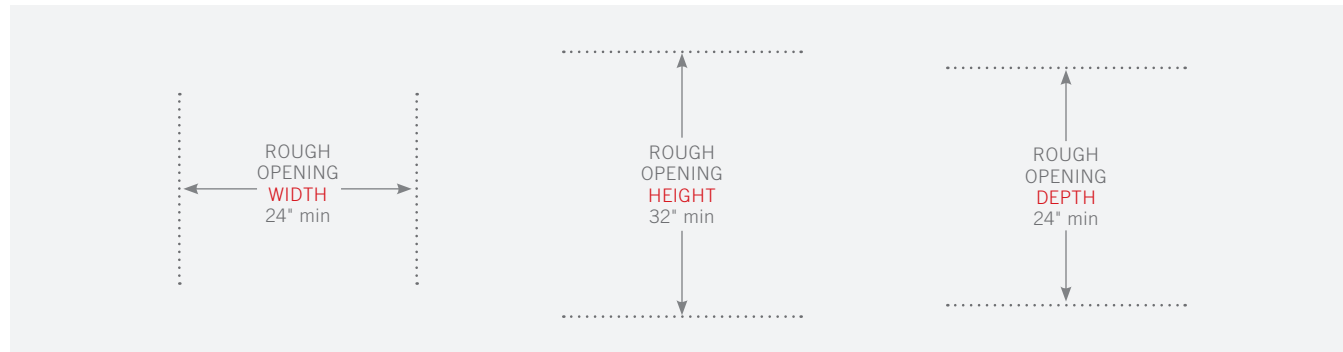
\*Dimensions may vary +/- 1/8"

24" OVERLAY PANEL READY REFRIGERATOR DRAWERS

TURADA-24-D-A~O – (shown with a 3/4" cabinetry panel.)



OPENING DIMENSIONS



MODEL OPTIONS

MODEL	FINISH
TURADA-24-D-A~O	Overlay panel ready drawer model

Stainless steel version also available

ACCESSORIES (OPTIONAL)

2 1/2" legs

6" toe kick

WARRANTY

- 2 year full – parts & labor
- 5 year sealed system – parts & labor



24" STAINLESS GLASS DOOR UNDERCOUNTER REFRIGERATOR

TURADA-24-LG/RG-A~S

TURADA-24-RG-A~S (Right hinged, standard)

TURADA-24-LG-A~S (Left hinged, special order)

FEATURES

- 32" height allows for installation under ADA-compliant counter top
- Articulating, soft close hinge allows fully integrated, flexible installations
- Field-reversible hinge allows for flexibility in the field
- Sleek black aluminum interior
- Black powder coated steel exterior
- Forced air refrigeration system which maintains 33°– 41°F (0.5°– 5°C)
- Environmentally friendly R600a refrigerant
- Concealed digital temperature controls allows for precise temperature management
- White LED lighting illuminates your product
- UL-rated for outdoor use
- Lock standard on stainless steel models
- Unit comes standard with 4 adjustable leg levelers
- NSF/ANSI Standard 7 compliant for packaged food product

ORGANIZATION

- Two adjustable heavy-duty PVC coated black wire shelves allow for adjustable organization options
  - Shelf dimensions: 19<sup>5</sup>/<sub>8</sub>" W x 17" L

BUILD YOUR TRUE

Customize your True with a variety of finish and hardware options at [true-residential.com](http://true-residential.com).



SPECIFICATIONS

Dimensions\* (w x h x d) 23 7/8" x 31 7/8" x 23 15/16"

Cutout Dimensions (w x h x d) 24" x 32" x 24"

Other installation options available, consult install guide

Capacity (cu. ft.) 5.0

Temperature Range 33° - 41°F (0.5° - 5°C)

Weight (lbs.) 145

Voltage 115/60/1 115/60/1 NEMA-5-15R

Amps 0.8

Annual Energy Consumption (kWh) 275

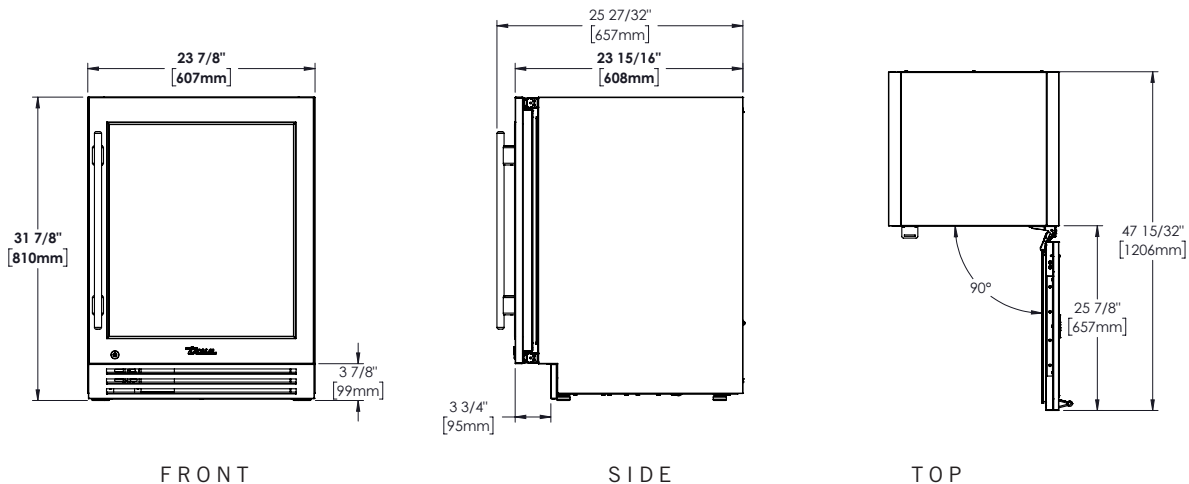
Power Cord Length (ft.) 10

Energy Star Rated Yes

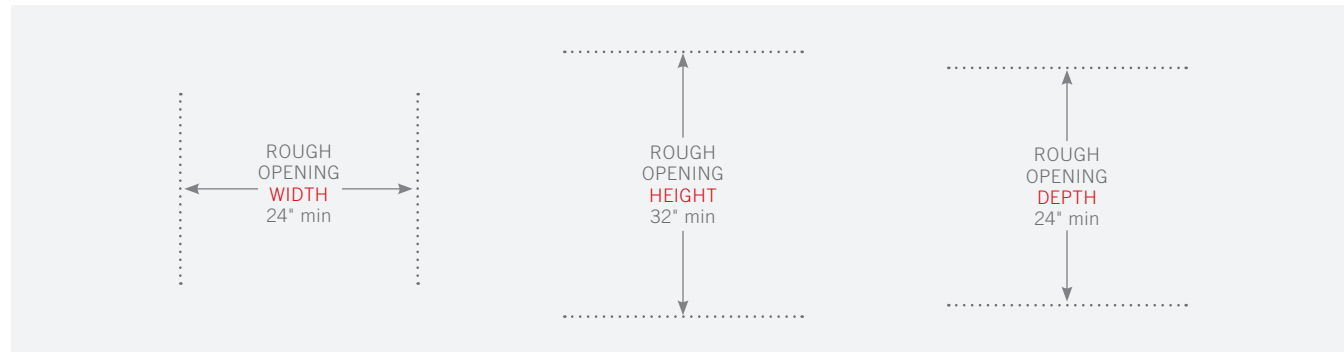
\*Dimensions may vary +/- 1/8"

24" STAINLESS GLASS DOOR UNDERCOUNTER REFRIGERATOR

TURADA-24-LG/RG-A~S



OPENING DIMENSIONS



MODEL OPTIONS

MODEL	FINISH
TURADA-24-LG-A~S	Stainless glass door, left hinged
TURADA-24-RG-A~S	Stainless glass door, right hinged

Overlay panel ready version also available

ACCESSORIES (OPTIONAL)

2 1/2" legs

6" toe kick

WARRANTY

- 2 year full – parts & labor
- 5 year sealed system – parts & labor



24" STAINLESS SOLID DOOR UNDERCOUNTER REFRIGERATOR

TURADA-24-LS/RS-A~S

TURADA-24-RS-A~S (Right hinged, standard)

TURADA-24-LS-A~S (Left hinged, special order)

FEATURES

- 32" height allows for installation under ADA-compliant counter top
- Articulating, soft close hinge allows fully integrated, flexible installations
- Field-reversible hinge allows for flexibility in the field
- Sleek black aluminum interior
- Black powder coated steel exterior
- Forced air refrigeration system which maintains 33°– 41°F (0.5°– 5°C)
- Environmentally friendly R600a refrigerant
- Concealed digital temperature controls allows for precise temperature management
- White LED lighting illuminates your product
- UL-rated for outdoor use
- Unit comes standard with 4 adjustable leg levelers
- Lock standard on stainless steel models
- NSF/ANSI Standard 7 compliant for packaged food product

ORGANIZATION


- Two adjustable heavy-duty PVC coated black wire shelves allow for adjustable organization options
  - Shelf dimensions: 19<sup>5</sup>/<sub>8</sub>" W x 17" L

BUILD YOUR TRUE

Customize your True with a variety of finish and hardware options at [true-residential.com](http://true-residential.com).



SPECIFICATIONS

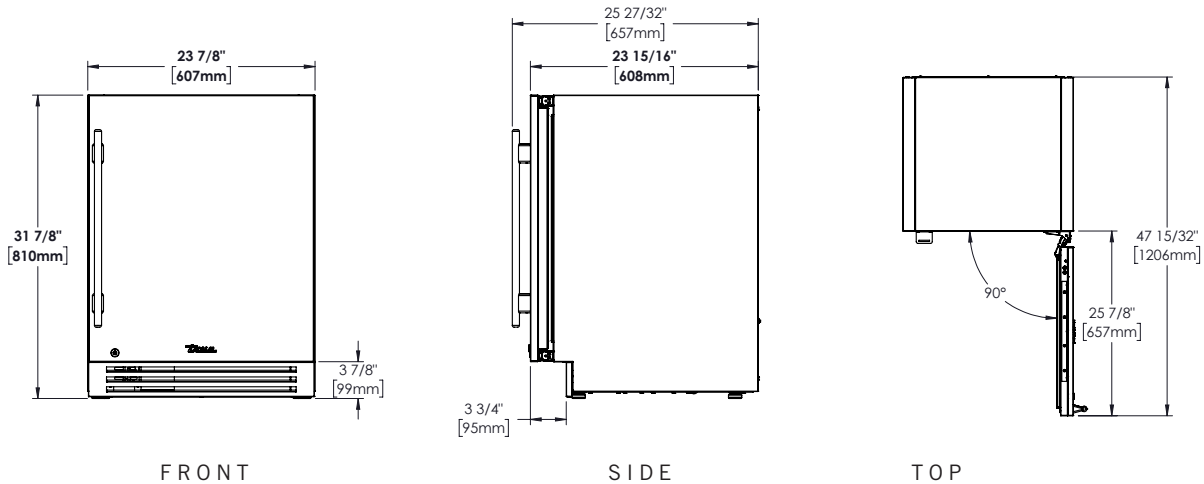
Dimensions* (w x h x d)	23 7/8" x 31 7/8" x 23 15/16"
Cutout Dimensions (w x h x d)	24" x 32" x 24"
Other installation options available, consult install guide	
Capacity (cu. ft.)	5.0
Temperature Range	33°– 41°F (0.5°– 5°C)
Weight (lbs.)	145
Voltage	115/60/1  115/60/1 NEMA-5-15R
Amps	0.8
Annual Energy Consumption (kWh)	275
Power Cord Length (ft.)	10
Energy Star Rated	Yes

\*Dimensions may vary +/- 1/8"



24" STAINLESS SOLID DOOR UNDERCOUNTER REFRIGERATOR

TURADA-24-LS/RS-A~S



OPENING DIMENSIONS



MODEL OPTIONS

MODEL	FINISH
TURADA-24-LS-A~S	Stainless solid door, left hinged
TURADA-24-RS-A~S	Stainless solid door, right hinged

Overlay panel ready version also available

ACCESSORIES (OPTIONAL)

- 2 1/2" legs
- 6" toe kick

WARRANTY

- 2 year full – parts & labor
- 5 year sealed system – parts & labor



24" STAINLESS STEEL REFRIGERATOR DRAWERS

TURADA-24-D-A~S

FEATURES

- 32" height allows for installation under ADA-compliant counter top
- Sleek black aluminum interior – stainless steel drawer bin inserts
- Black powder coated steel exterior
- Forced air refrigeration system which maintains 33°– 41°F (0.5°– 5°C)
- Environmentally friendly R600a refrigerant
- Concealed digital temperature controls allows for precise temperature management
- White LED lighting illuminates your product
- UL-rated for outdoor use
- Unit comes standard with 4 adjustable leg levelers
- Lock optional
- NSF/ANSI Standard 7 compliant for packaged food product



BUILD YOUR TRUE

Customize your True with a variety of finish and hardware options at [true-residential.com](http://true-residential.com).



SPECIFICATIONS

Dimensions\* (w x h x d) 23 7/8" x 31 7/8" x 23 15/16"

Cutout Dimensions (w x h x d) 24" x 32" x 24"

Other installation options available, consult install guide

Capacity (cu. ft.) 5.0

Temperature Range 33° - 41°F (0.5° - 5°C)

Weight (lbs.) 190

Voltage 115/60/1  115/60/1 NEMA-5-15R

Amps 0.8

Annual Energy Consumption (kWh) 275

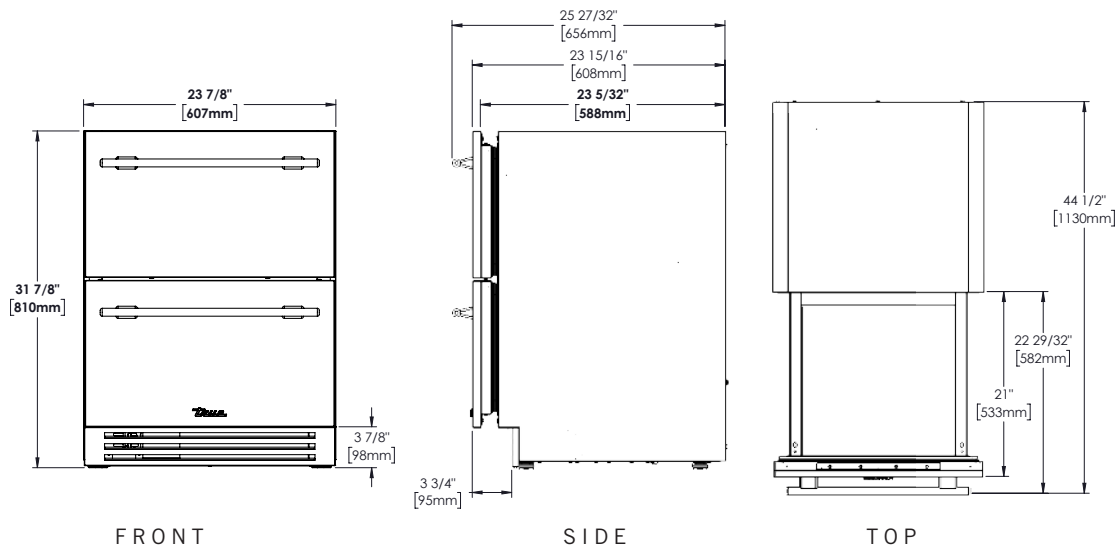
Power Cord Length (ft.) 10

Energy Star Rated Yes

\*Dimensions may vary +/- 1/8"

24" STAINLESS STEEL REFRIGERATOR DRAWERS

TURADA-24-D-A~S



OPENING DIMENSIONS



MODEL OPTIONS

MODEL	FINISH
TURADA-24-D-A~S	Stainless steel drawer model

Overlay panel ready version also available

ACCESSORIES (OPTIONAL)

- 2 1/2" legs
- 6" toe kick

WARRANTY

- 2 year full – parts & labor
- 5 year sealed system – parts & labor





24" OVERLAY GLASS DOOR WINE CABINET

TUWADA-24-LG/RG-A~O

TUWADA-24-RG-A~O (Right hinged, standard)

TUWADA-24-LG-A~O (Left hinged, special order)

FEATURES

- 32" height allows for installation under ADA-compliant counter top
- Articulating, soft close hinge allows fully integrated, flexible installations
- Field-reversible hinge allows for flexibility in the field
- Sleek black aluminum interior
- Black powder coated steel exterior
- Five pull-out PVC coated wire wine racks for storage of 7 bottles each and one floor wine cradle for storage of 5 bottles, 40 bottles total.
- Forced air refrigeration system which maintains 40°– 65°F (4.4°– 18.3°C)
- Environmentally friendly R600a refrigerant
- Concealed digital temperature controls allows for precise temperature management
- White LED lighting illuminates your product
- UL-rated for outdoor use
- Unit comes standard with 4 adjustable leg levelers
- NSF/ANSI Standard 7 compliant for packaged food product

ORGANIZATION


- Five pull-out PVC coated wire wine racks for storage of 7 bottles each
  - Shelf dimensions: 17<sup>1</sup>/<sub>16</sub>" W x 16<sup>7</sup>/<sub>8</sub>" L
- One floor wine cradle for storage of 5 bottles

BUILD YOUR TRUE

Customize your True with a variety of finish and hardware options at [true-residential.com](http://true-residential.com).



SPECIFICATIONS

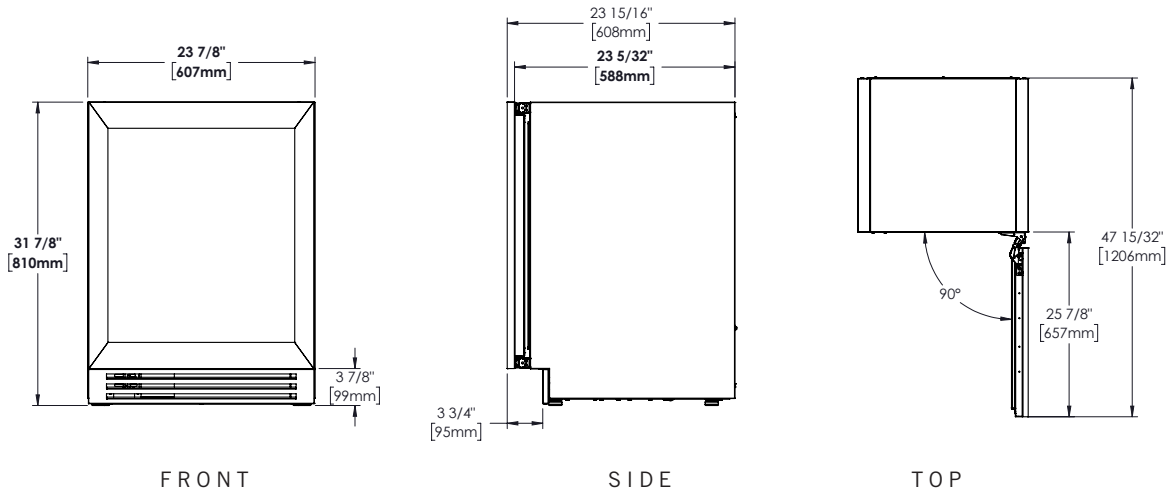
Dimensions* (w x h x d)	23 <sup>7</sup> / <sub>16</sub> " x 31 <sup>7</sup> / <sub>16</sub> " x 23 <sup>5</sup> / <sub>32</sub> "
Cutout Dimensions (w x h x d)	24" x 32" x 24"
Standard Overlay Panel (w x h x d)	23 <sup>5</sup> / <sub>8</sub> " x 28" x <sup>3</sup> / <sub>4</sub> "
Panel provided by others. Other installation options available. Consult install guide for details.	
Capacity (bottles)	40
Temperature Range	40° - 65°F (4.4° - 18.3°C)
Weight (lbs.)	225
Voltage	115/60/1  115/60/1 NEMA-5-15R
Amps	0.8
Annual Energy Consumption (kWh)	195
Power Cord Length (ft.)	10
Energy Star Rated	—

\*Dimensions may vary +/- 1/8"



24" OVERLAY GLASS DOOR WINE CABINET

TUWADA-24-LG/RG-A~O – (shown with a 3/4" cabinetry panel.)



OPENING DIMENSIONS



MODEL OPTIONS

MODEL	FINISH
TUWADA-24-LG-A~O	Overlay glass door, left hinged
TUWADA-24-RG-A~O	Overlay glass door, right hinged

Stainless steel version also available

ACCESSORIES (OPTIONAL)

- 2 1/2" legs
- 6" toe kick

WARRANTY

- 2 year full – parts & labor
- 5 year sealed system – parts & labor



24" OVERLAY PANEL READY WINE CABINET

TUWADA-24-LS/RS-A~O

TUWADA-24-RS-A~O (Right hinged, standard)

TUWADA-24-LS-A~O (Left hinged, special order)

FEATURES

- 32" height allows for installation under ADA-compliant counter top
- Articulating, soft close hinge allows fully integrated, flexible installations
- Field-reversible hinge allows for flexibility in the field
- Sleek black aluminum interior
- Black powder coated steel exterior
- Five pull-out PVC coated wire wine racks for storage of 7 bottles each and one floor wine cradle for storage of 5 bottles, 40 bottles total.
- Forced air refrigeration system which maintains 40°– 65°F (4.4°– 18.3°C)
- Environmentally friendly R600a refrigerant
- Concealed digital temperature controls allows for precise temperature management
- White LED lighting illuminates your product
- UL-rated for outdoor use
- Unit comes standard with 4 adjustable leg levelers
- NSF/ANSI Standard 7 compliant for packaged food product

ORGANIZATION


- Five pull-out PVC coated wire wine racks for storage of 7 bottles each
  - Shelf dimensions: 17<sup>1</sup>/<sub>16</sub>" W x 16<sup>7</sup>/<sub>8</sub>" L
- One floor wine cradle for storage of 5 bottles

BUILD YOUR TRUE

Customize your True with a variety of finish and hardware options at [true-residential.com](http://true-residential.com).



SPECIFICATIONS

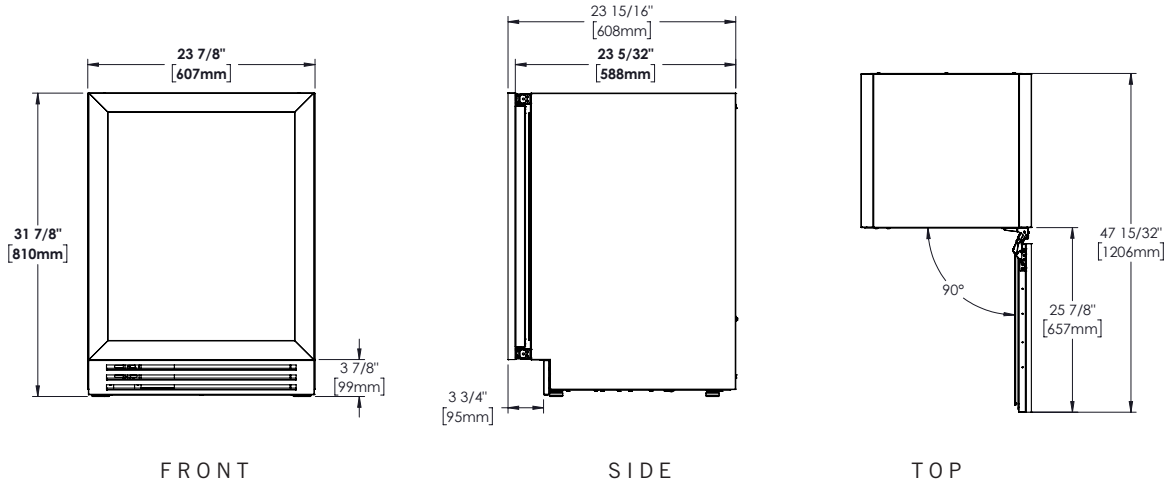
Dimensions* (w x h x d)	23 <sup>7</sup> / <sub>16</sub> " x 31 <sup>7</sup> / <sub>16</sub> " x 23 <sup>5</sup> / <sub>32</sub> "
Cutout Dimensions (w x h x d)	24" x 32" x 24"
Standard Overlay Panel (w x h x d)	23 <sup>5</sup> / <sub>8</sub> " x 28" x <sup>3</sup> / <sub>4</sub> "
Panel provided by others. Other installation options available. Consult install guide for details.	
Capacity (bottles)	40
Temperature Range	40° - 65°F (4.4° - 18.3°C)
Weight (lbs.)	225
Voltage	115/60/1  115/60/1 NEMA-5-15R
Amps	0.8
Annual Energy Consumption (kWh)	195
Power Cord Length (ft.)	10
Energy Star Rated	—

\*Dimensions may vary +/- 1/8"



24" OVERLAY PANEL READY WINE CABINET

TUWADA-24-LS/RS-A~O – (shown with a 3/4" cabinetry panel.)



OPENING DIMENSIONS



MODEL OPTIONS

MODEL	FINISH
TUWADA-24-LS-A~O	Overlay panel ready solid door, left hinged
TUWADA-24-RS-A~O	Overlay panel ready solid door, right hinged

Stainless steel version also available

ACCESSORIES (OPTIONAL)

- 2 1/2" legs
- 6" toe kick

WARRANTY

- 2 year full – parts & labor
- 5 year sealed system – parts & labor



24" STAINLESS GLASS DOOR WINE CABINET

TUWADA-24-LG/RG-A~S

TUWADA-24-RG-A~S (Right hinged, standard)

TUWADA-24-LG-A~S (Left hinged, special order)

FEATURES

- 32" height allows for installation under ADA-compliant counter top
- Articulating, soft close hinge allows fully integrated, flexible installations
- Field-reversible hinge allows for flexibility in the field
- Sleek black aluminum interior
- Black powder coated steel exterior
- Five pull-out PVC coated wire wine racks for storage of 7 bottles each and one floor wine cradle for storage of 5 bottles, 40 bottles total.
- Forced air refrigeration system which maintains 40°– 65°F (4.4°– 18.3°C)
- Environmentally friendly R600a refrigerant
- Concealed digital temperature controls allows for precise temperature management
- White LED lighting illuminates your product
- UL-rated for outdoor use
- Lock standard on stainless steel models
- Unit comes standard with 4 adjustable leg levelers
- NSF/ANSI Standard 7 compliant for packaged food product

ORGANIZATION

- Five pull-out PVC coated wire wine racks for storage of 7 bottles each
  - Shelf dimensions: 17<sup>7</sup>/<sub>16</sub>" W x 16<sup>7</sup>/<sub>8</sub>" L
- One floor wine cradle for storage of 5 bottles

BUILD YOUR TRUE

Customize your True with a variety of finish and hardware options at [true-residential.com](http://true-residential.com).



SPECIFICATIONS

Dimensions\* (w x h x d) 23<sup>7</sup>/<sub>8</sub>" x 31<sup>7</sup>/<sub>8</sub>" x 23<sup>15</sup>/<sub>16</sub>"

Cutout Dimensions (w x h x d) 24" x 32" x 24"

Other installation options available, consult install guide

Capacity (bottles) 40

Temperature Range 40°– 65°F (4.4°– 18.3°C)

Weight (lbs.) 225

Voltage 115/60/1 115/60/1 NEMA-5-15R

Amps 0.8

Annual Energy Consumption (kWh) 195

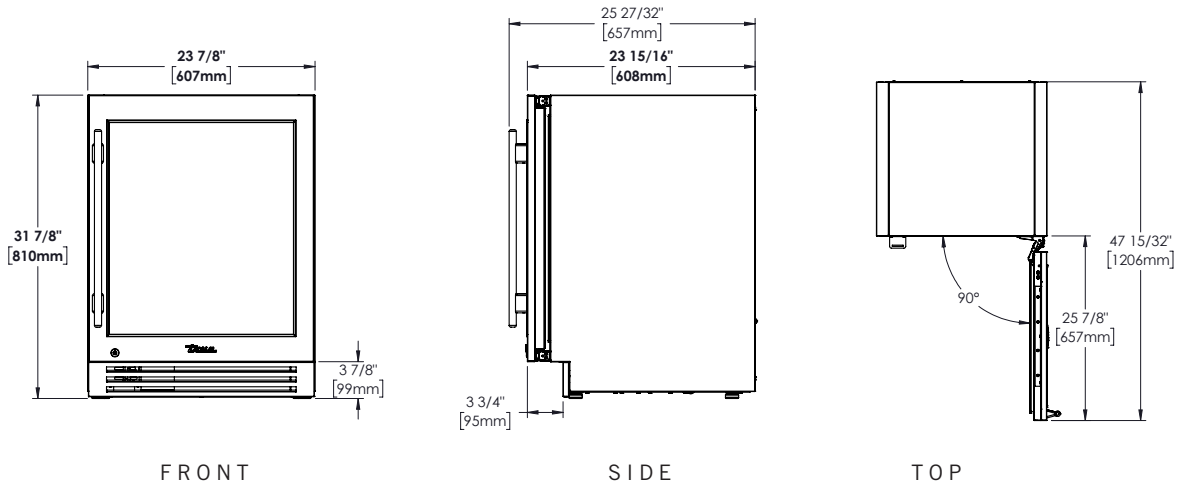
Power Cord Length (ft.) 10

Energy Star Rated —

\*Dimensions may vary +/- 1/8"

24" STAINLESS GLASS DOOR WINE CABINET

TUWADA-24-LG/RG-A~S



OPENING DIMENSIONS



MODEL OPTIONS

MODEL	FINISH
TUWADA-24-LG-A~S	Stainless glass door, left hinged
TUWADA-24-RG-A~S	Stainless glass door, right hinged

Overlay panel ready version also available

ACCESSORIES (OPTIONAL)

- 2 1/2" legs
- 6" toe kick

WARRANTY

- 2 year full – parts & labor
- 5 year sealed system – parts & labor



24" STAINLESS SOLID DOOR WINE CABINET

TUWADA-24-LS/RS-A~S

TUWADA-24-RS-A~S (Right hinged, standard)

TUWADA-24-LS-A~S (Left hinged, special order)

FEATURES

- 32" height allows for installation under ADA-compliant counter top
- Articulating, soft close hinge allows fully integrated, flexible installations
- Field-reversible hinge allows for flexibility in the field
- Sleek black aluminum interior
- Black powder coated steel exterior
- Five pull-out PVC coated wire wine racks for storage of 7 bottles each and one floor wine cradle for storage of 5 bottles, 40 bottles total.
- Forced air refrigeration system which maintains 40°– 65°F (4.4°– 18.3°C)
- Environmentally friendly R600a refrigerant
- Concealed digital temperature controls allows for precise temperature management
- White LED lighting illuminates your product
- UL-rated for outdoor use
- Lock standard on stainless steel models
- Unit comes standard with 4 adjustable leg levelers
- NSF/ANSI Standard 7 compliant for packaged food product

ORGANIZATION


- Five pull-out PVC coated wire wine racks for storage of 7 bottles each
  - Shelf dimensions: 17<sup>1</sup>/<sub>16</sub>" W x 16<sup>7</sup>/<sub>8</sub>" L
- One floor wine cradle for storage of 5 bottles

BUILD YOUR TRUE

Customize your True with a variety of finish and hardware options at [true-residential.com](http://true-residential.com).



SPECIFICATIONS

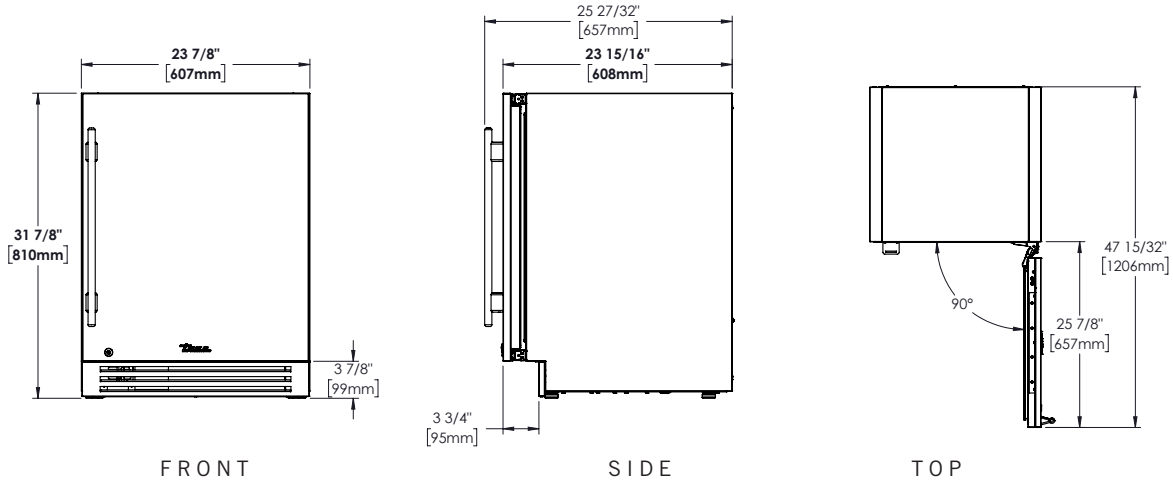
Dimensions* (w x h x d)	23 <sup>7</sup> / <sub>8</sub> " x 31 <sup>7</sup> / <sub>8</sub> " x 23 <sup>15</sup> / <sub>16</sub> "
Cutout Dimensions (w x h x d)	24" x 32" x 24"
Other installation options available, consult install guide	
Capacity (bottles)	40
Temperature Range	40° - 65°F (4.4° - 18.3°C)
Weight (lbs.)	225
Voltage	115/60/1  115/60/1 NEMA-5-15R
Amps	0.8
Annual Energy Consumption (kWh)	195
Power Cord Length (ft.)	10
Energy Star Rated	—

\*Dimensions may vary +/- 1/8"



24" STAINLESS SOLID DOOR WINE CABINET

TUWADA-24-LS/RS-A~S



OPENING DIMENSIONS



MODEL OPTIONS

MODEL	FINISH
TUWADA-24-LS-A~S	Stainless solid door, left hinged
TUWADA-24-RS-A~S	Stainless solid door, right hinged

Overlay panel ready version also available

ACCESSORIES (OPTIONAL)

- 2 1/2" legs
- 6" toe kick

WARRANTY

- 2 year full – parts & labor
- 5 year sealed system – parts & labor

