

24" OVERLAY PANEL READY DOOR BEVERAGE CENTER

TUBADA-24-LS/RS-A~O

TUBADA-24-RS-A~O (Right hinged, standard)

TUBADA-24-LS-A~O (Left hinged, special order)

FEATURES

- 32" height allows for installation under ADA-compliant counter top.
- Articulating, soft close hinge allows fully integrated, flexible installations.
- Field-reversible hinge allows for flexibility in the field.
- Sleek black aluminum interior.
- Black powder coated steel exterior.
- One pull-out PVC coated wire wine rack and one floor wine cradle for storage of 12 total bottles.
- Forced air refrigeration system which maintains 33°– 41°F (0.5°– 5°C).
- Environmentally friendly R600a refrigerant.
- Concealed digital temperature controls allows for precise temperature management.
- White LED lighting illuminates your product.
- UL-rated for outdoor use.
- Unit comes standard with 4 adjustable leg levelers.
- NSF/ANSI Standard 7 compliant for packaged food product.

ORGANIZATION

- Two adjustable heavy-duty PVC coated black wire shelves allow for adjustable organization options.
  - Shelf dimensions: 19<sup>5</sup>/<sub>8</sub>"W x 17" L.
- One pull-out PVC coated wire wine rack for storage of 7 bottles.
  - Shelf dimensions: 17<sup>1</sup>/<sub>16</sub>"W x 16<sup>7</sup>/<sub>8</sub>" L.
- One floor wine cradle for storage of 5 bottles.

BUILD YOUR TRUE

Customize your True with a variety of finish and hardware options at [true-residential.com/custom](http://true-residential.com/custom).




TUBADA-24-RS-A~O

SPECIFICATIONS

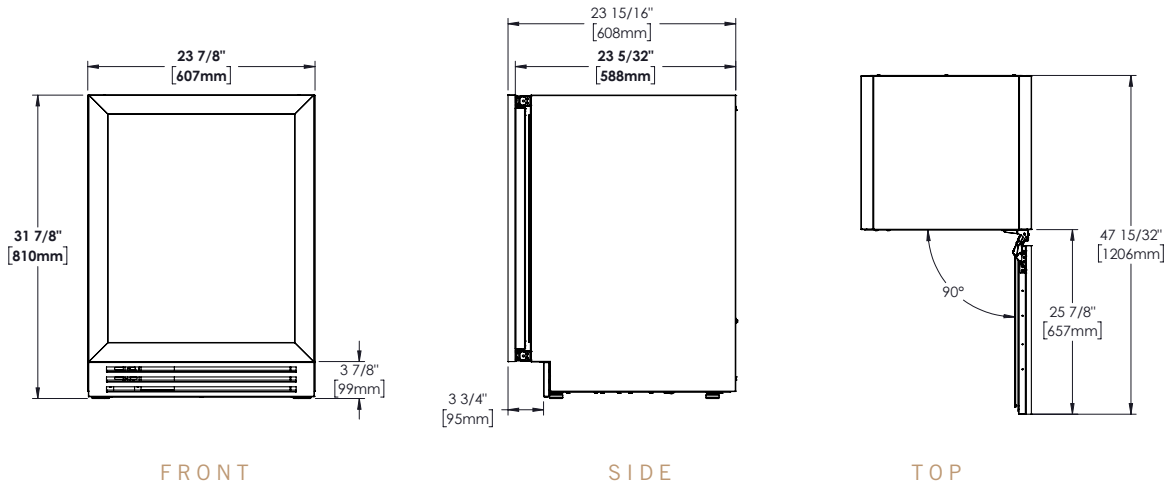
Dimensions (w x h x d)	23 <sup>7</sup> / <sub>8</sub> " x 31 <sup>7</sup> / <sub>8</sub> " x 23 <sup>5</sup> / <sub>8</sub> "
Cutout Dimensions (w x h x d)	24" x 32" x 24"
Standard Overlay Panel (w x h x d)	23 <sup>5</sup> / <sub>8</sub> " x 28" x 3/4"

Panel provided by others. Other installation options available. Consult install guide for details.

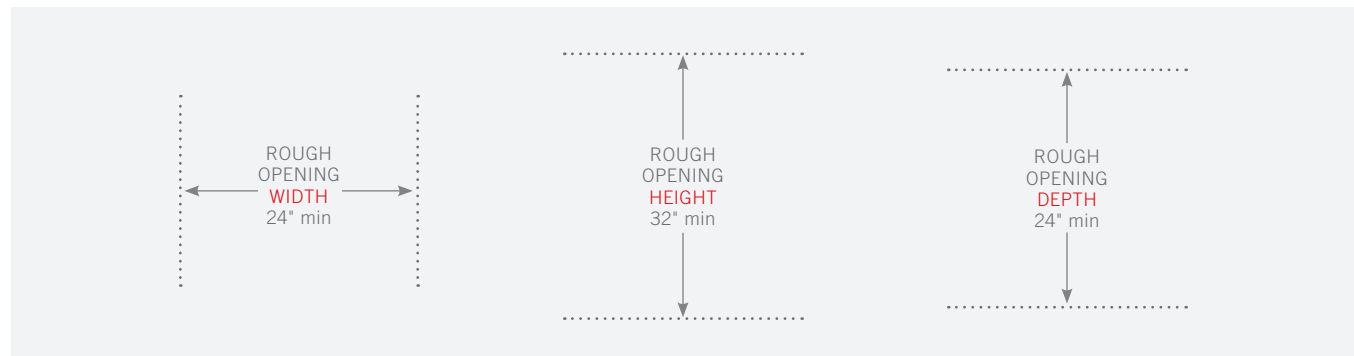
Capacity	5.0
Temperature Range	33° - 41°F (0.5° - 5°C)
Weight (lbs.)	145
Voltage	115/60/1  115/60/1 NEMA-5-15R
Amps	0.8
Annual Energy Consumption (kWh)	275
Power Cord Length (ft.)	10
Energy Star Rated	—

24" OVERLAY PANEL READY DOOR BEVERAGE CENTER

TUBADA-24-LS/RS-A~O – (shown with a 3/4" cabinetry panel.)



OPENING DIMENSIONS



MODEL OPTIONS

MODEL	FINISH
TUBADA-24-LS-A~O	Overlay panel ready solid door, left hinged
TUBADA-24-RS-A~O	Overlay panel ready solid door, right hinged

Stainless steel version also available.

ACCESSORIES (OPTIONAL)

- 2 1/2" legs
- 6" toe kick

WARRANTY

2 year full – parts & labor • 5 year sealed system – parts & labor