

True[®] RESIDENTIAL BEVERAGE CENTER

24 Inch Beverage Center

The exceptional craftsmanship of True products is evident in the precise attention to detail and styling of the True Beverage Center. With True's exclusive balanced refrigeration system, you can set the temperature as low as 33°F, keeping your drinks icy cold. This exclusive technology also enables rapid cool down of beverages and maintains them at the perfect temperature so they are ready when you are.

24 Inch Beverage Center
(Right Hinged Shown)



Stainless Glass



Overlay Glass



Overlay Panel

EXCEPTIONAL FEATURES

Industry exclusive, 300-series stainless steel interior and exterior.

5.6 cubic feet of capacity.

Zero-clearance hinging allows for integrated installation.

Patented TruLumina[®] LED lighting gently illuminates your product and allows you to choose from 14 different color options with the push of a button.

Low-E, double pane, UV tinted glass.

True Precision Control[®] with steel touch technology and readout provides digital accuracy.

Balanced, forced-air refrigeration system enables rapid product pull down and even temperature throughout.

2 adjustable/removable stainless steel encapsulated glass shelves and 2 wine shelves will accommodate 13 bottles.

TrueFlex[®] shelving system allows convertibility to a refrigerator or a wine cabinet.

Star-K compliant.

Standard with lock.

UL rated for outdoor use.

NOTE: Overlay models have 300-series stainless steel interiors and black vinyl coated steel exteriors.

OPTIONAL FINISHES

FINISH	MODEL
BEVERAGE CENTER	
Stainless glass door right-hinged	TBC-24-R-SG-B
Stainless glass door left-hinged	TBC-24-L-SG-B
Overlay solid right-hinged	TBC-24-R-OP-B
Overlay solid left-hinged	TBC-24-L-OP-B
Overlay glass right-hinged	TBC-24-R-OG-B
Overlay glass left-hinged	TBC-24-L-OG-B

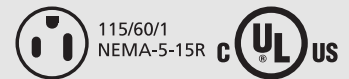
ELECTRICAL SPECIFICATIONS

Voltage: 115/60/1

Amps: 1.9

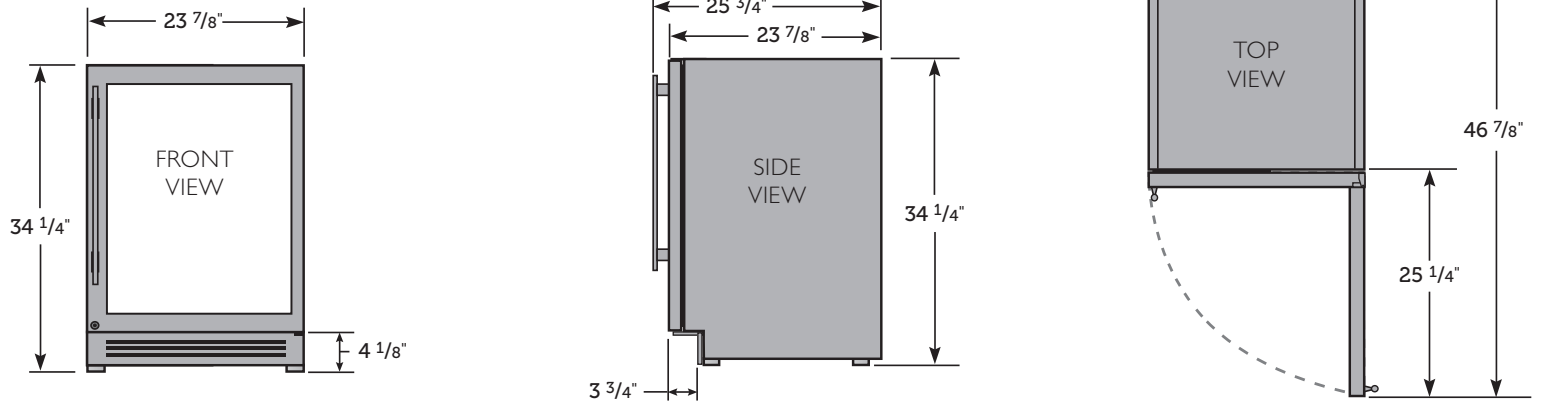
Power Cord Length: 8'

Annual kWh Consumption: 340



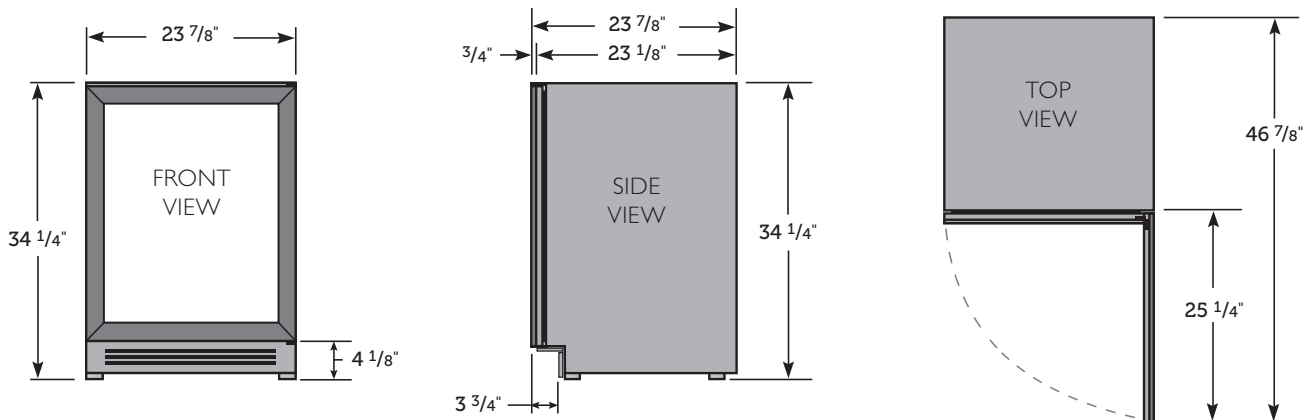
PLAN VIEWS

BEVERAGE CENTER STAINLESS FINISH:



Dimensions may vary by $\pm 1/8$ "

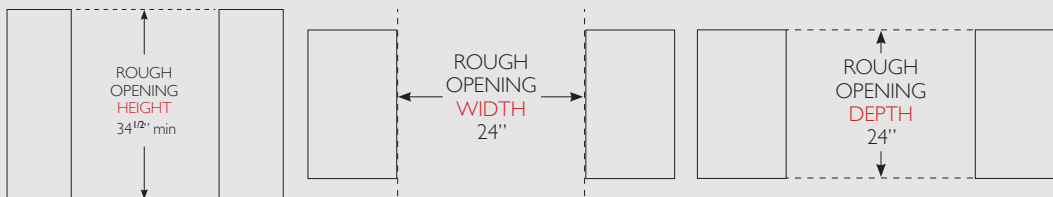
BEVERAGE CENTER OVERLAY FINISH: Shown with 3/4" Panel



Dimensions may vary by $\pm 1/8$ "

OPENING DIMENSIONS

Width	Depth†	Height
24"	24"	34 1/2"



SPECIFICATIONS	
Width	23 7/8"
Depth†	23 7/8"
Height	34 1/4"
Shelves	2 adjustable/removable glass, spill-proof shelves & (2) wine shelves that will accommodate 13 bottles.
Opening Width	24"
Opening Depth	24"
Opening Height	34 1/2"
Crated Weight	190

†Depth does not include 1 7/8" for door handle.