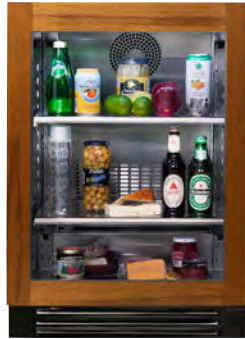


24 INCH

REFRIGERATOR / FREEZER



TUR-24-R/L-OP-C



TUR-24-R/L-OG-C

BEVERAGE CENTER



TBC-24-R/L-OP-C



TBC-24-R/L-OG-C

WINE CABINET



TWC-24-R/L-OP-C



TWC-24-R/L-OG-C

DUAL ZONE WINE CABINET



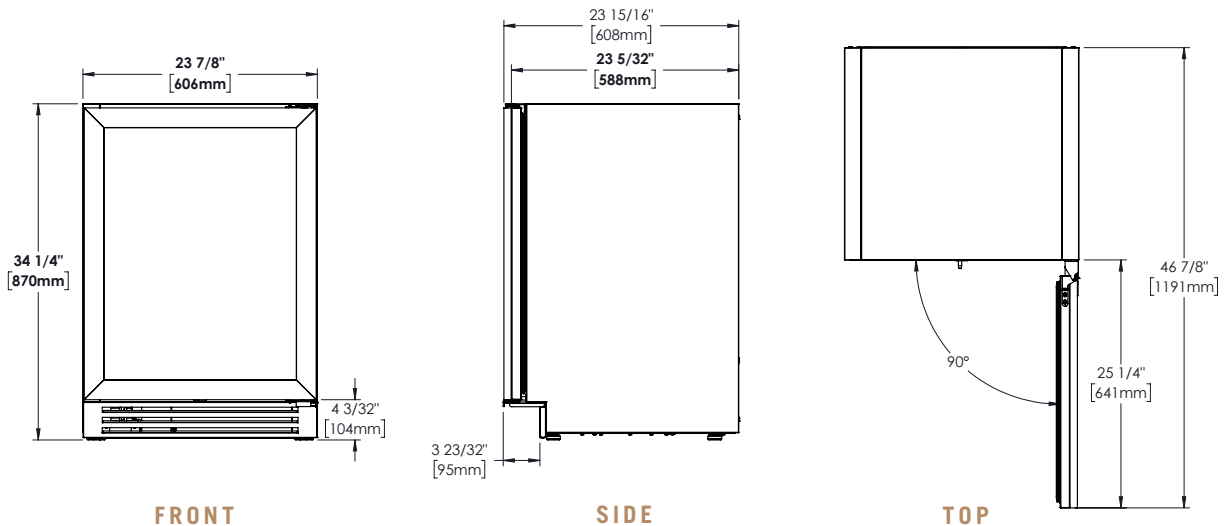
TWC-24DZ-R/L-OP-C



TWC-24DZ-R/L-OG-C

NOTE: Unit shown with overlay panel (not provided by True)

PLAN VIEW DIMENSIONS*



*Depth measurement includes 3/4" thick panel (not provided by TRUE).
Dimensions may vary by ± 1/8" (3.2 mm)

24 INCH

REFRIGERATOR / FREEZER DRAWERS

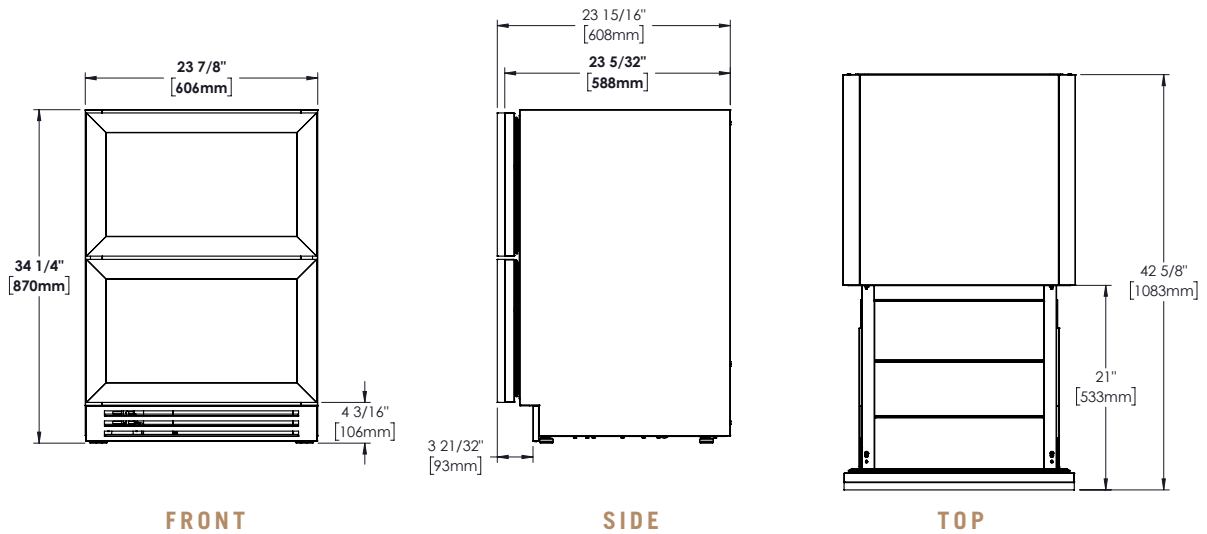


TUR-24-D-OP-C

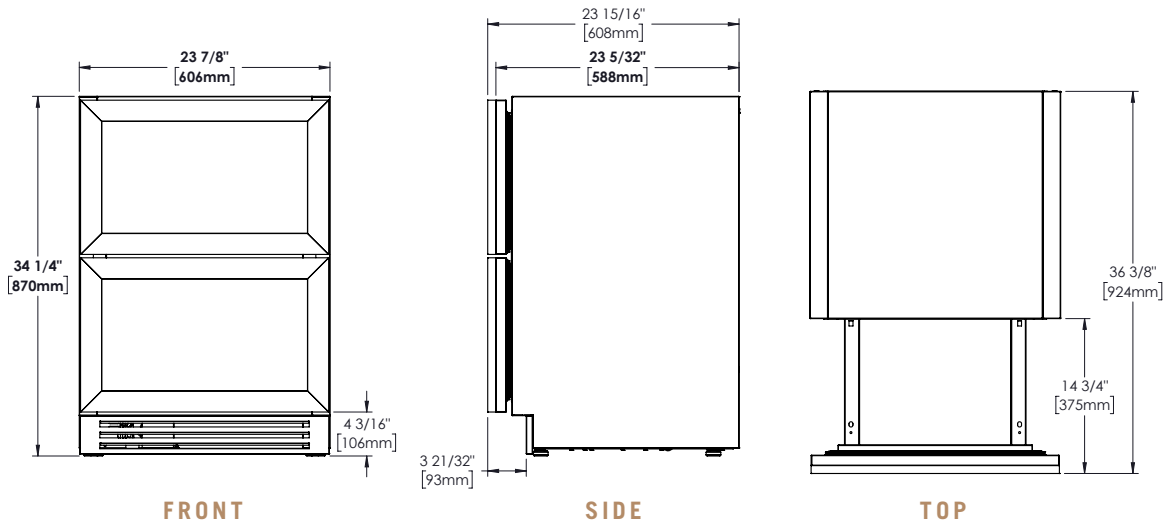
TUF-24-D-OP-C

NOTE: Unit shown with overlay panel (not provided by True)

REFRIGERATOR PLAN VIEW DIMENSIONS*



FREEZER PLAN VIEW DIMENSIONS*



*Depth measurement includes 3/4" thick panel (not provided by TRUE).
 Dimensions may vary by ± 1/8" (3.2 mm)

24 INCH

BEVERAGE DISPENSER

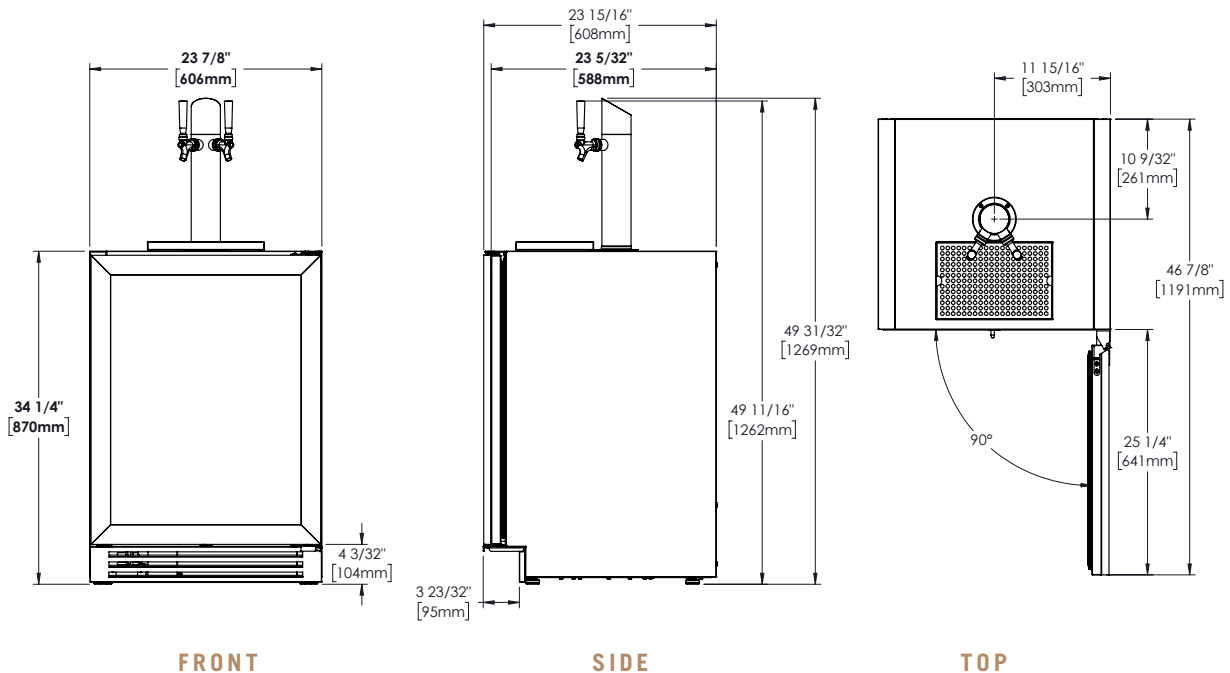


TUR-24BD-R/L-OP-C

TUR-24DD-R/L-OP-C

NOTE: Unit shown with overlay panel (not provided by True)

PLAN VIEW DIMENSIONS*



**24" SINGLE TAP UNIT ACCOMMODATES (1) SHORT 1/4 BARREL,
(1) SLIM 1/4 BARREL, OR (1) 1/6 BARREL.**

**24" DUAL TAP UNIT ACCOMMODATES (2) 1/6 BARRELS OR
(1) SLIM 1/4 BARREL AND (1) 1/6 BARREL.**

SEE KEG FOOTPRINTS IN OUR FAQ, STARTING ON PG. 92.

*Depth measurement includes 3/4" thick panel (not provided by TRUE).
Dimensions may vary by $\pm 1/8$ " (3.2 mm)

15 INCH

ALL REFRIGERATOR



TUR-15-R/L-OP-C



TUR-15-R/L-OG-C

WINE CABINET



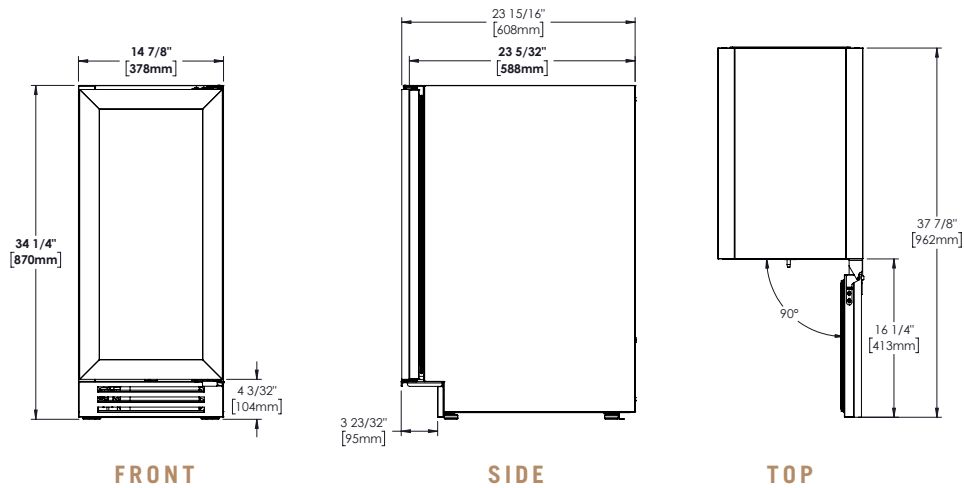
TWC-15-R/L-OP-C



TWC-15-R/L-OG-C

NOTE: Unit shown with overlay panel (not provided by True)

PLAN VIEW DIMENSIONS*



*Depth measurement includes 3/4" thick panel (not provided by TRUE).
Dimensions may vary by ± 1/8" (3.2 mm)

15 INCH

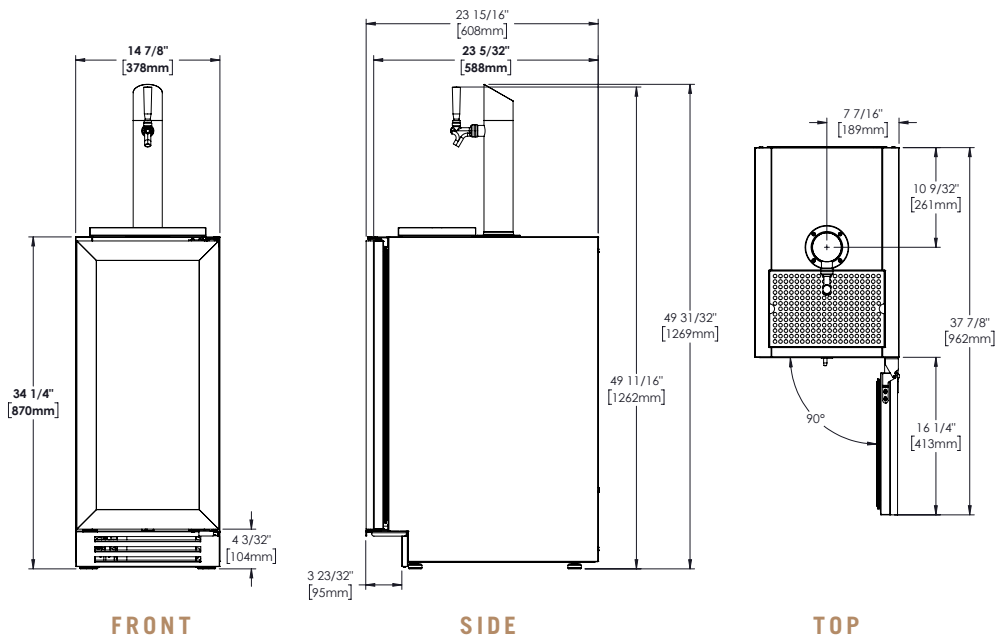
BEVERAGE DISPENSER



TUR-15BD-R/L-OP-C

NOTE: Unit shown with overlay panel (not provided by True)

PLAN VIEW DIMENSIONS*



15" SINGLE TAP UNIT ACCOMMODATES (1) SLIM 1/4 BARREL OR (1) 1/6 BARREL. SEE KEG FOOTPRINTS IN OUR FAQ, STARTING ON PG. 92.

*Depth measurement includes 3/4" thick panel (not provided by TRUE).
Dimensions may vary by ± 1/8" (3.2 mm)

CUSTOM PANEL SPECIFICATIONS

Overlay units can be fitted with custom panels to match adjacent cabinetry. Two specification options for panel sizes are given in these instructions for overlay units: Standard overlays and Integrated Panels. The standard overlay panel dimensions fully cover the provided appliance door. The integrated panel options extend above the door and conceal the hinge assembly to match full overlay cabinet doors. See pictures below for reference.

STANDARD OVERLAY PANEL



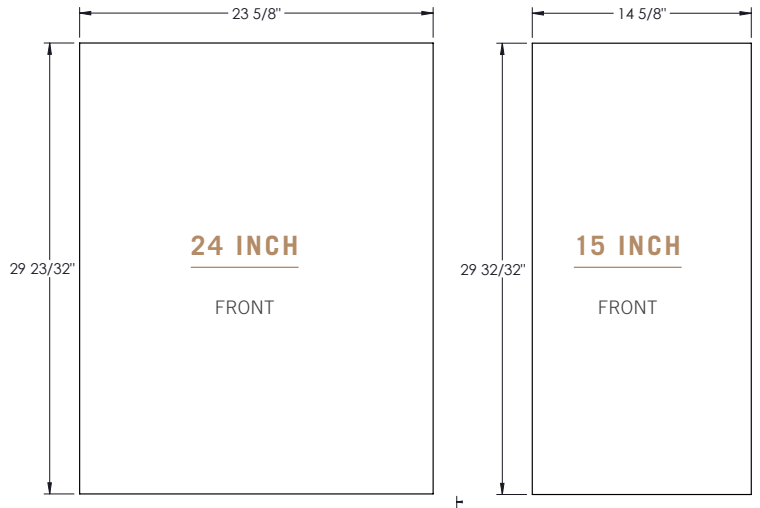
INTEGRATED OVERLAY PANEL



CUSTOM PANEL SPECIFICATIONS – SOLID DOOR REFRIGERATOR / FREEZER

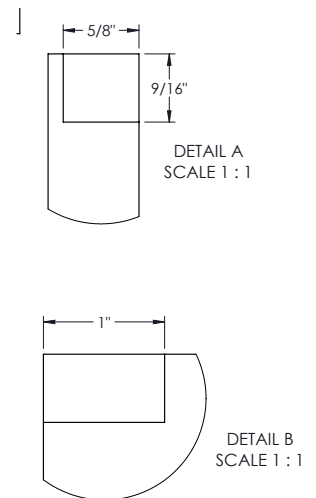
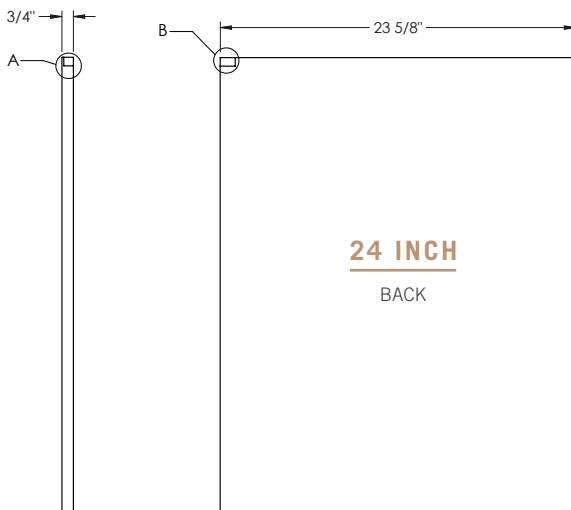
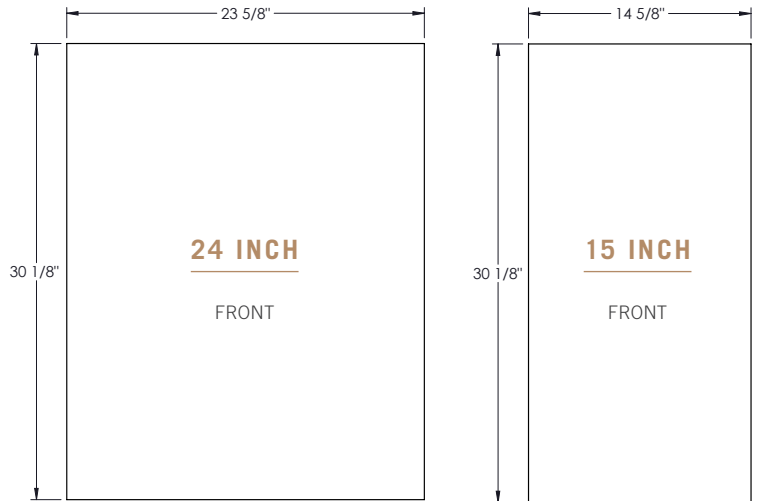
STANDARD OVERLAY PANEL

24"	IN / LB	MM / KG
Width	23-5/8	600
Height	29-23/32	754.9
Depth	3/4 (max)	19 (max)
Weight	15 lb (max)	6.8 kg (max)
Rail Style Dimension	2 (min)	50.8 (min)
15"	IN / LB	MM / KG
Width	14-5/8	371.5
Height	29-23/32	754.9
Depth	3/4 (max)	19 (max)
Weight	15 lb (max)	6.8 kg (max)
Rail Style Dimension	2 (min)	50.8 (min)



INTEGRATED OVERLAY PANEL

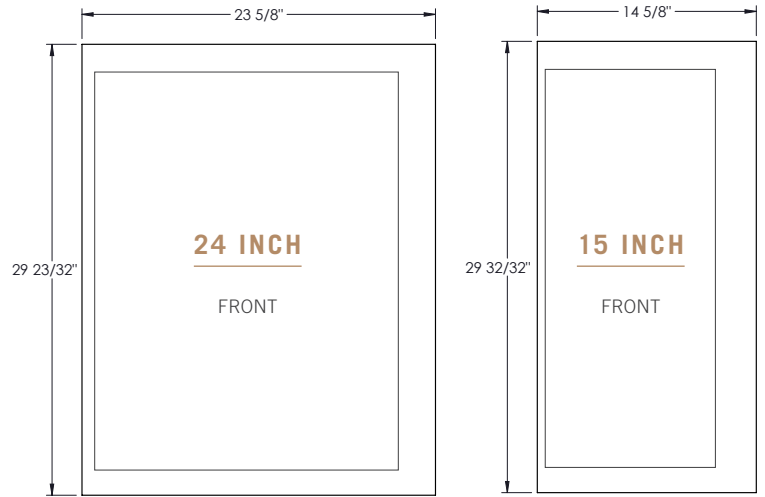
24"	IN / LB	MM / KG
Width	23-5/8	600
Height	30-1/8	765.2
Depth	3/4 (max)	19 (max)
Weight	15 lb (max)	6.8 kg (max)
Rail Style Dimension	2 (min)	50.8 (min)
15"	IN / LB	MM / KG
Width	14-5/8	371.5
Height	30-1/8	765.2
Depth	3/4 (max)	19 (max)
Weight	15 lb (max)	6.8 kg (max)
Rail Style Dimension	2 (min)	50.8 (min)



CUSTOM PANEL SPECIFICATIONS – GLASS DOOR REFRIGERATOR

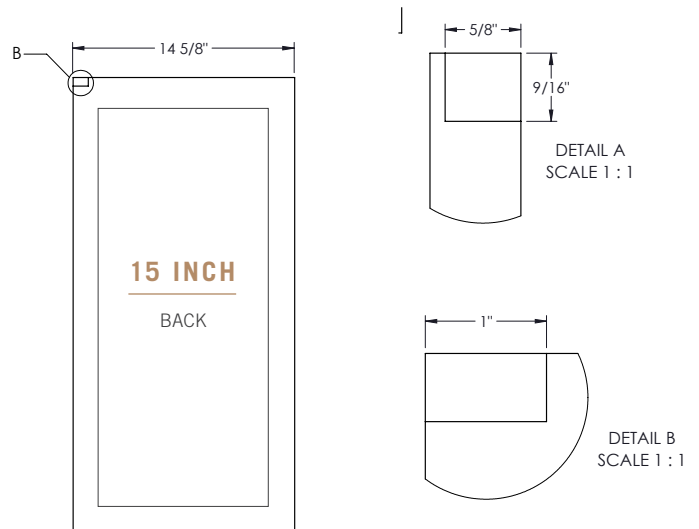
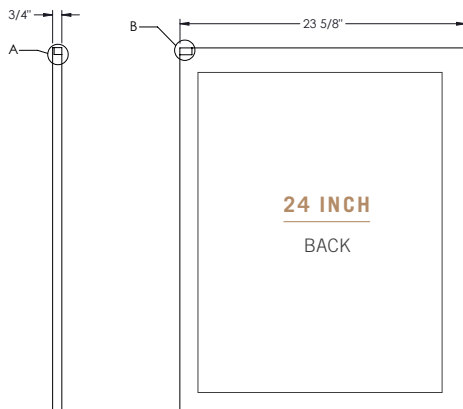
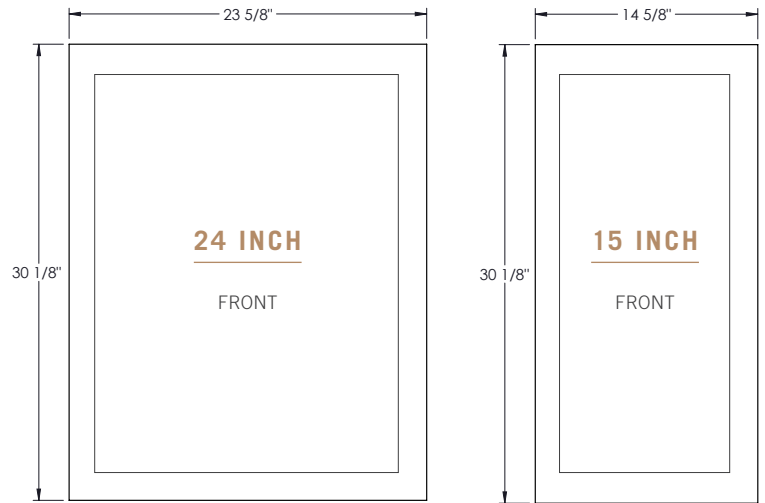
STANDARD OVERLAY PANEL

24"	IN / LB	MM / KG
Width	23-5/8	600
Height	29-23/32	754.9
Depth	3/4 (max)	19 (max)
Weight	15 lb. (max)	6.8 kg (max)
Rail Style Dimension	2 (min)	50.8 (min)
Viewable Area Width	19-5/8	498.5
Viewable Area Height	25-23/32	653.3
15"	IN / LB	MM / KG
Width	14-5/8	371.5
Height	29-23/32	765.2
Depth	3/4 (max)	19 (max)
Weight	15 lb. (max)	6.8 kg (max)
Rail Style Dimension	2 (min)	50.8 (min)
Viewable Area Width	10-5/8	269.9
Viewable Area Height	25-23/32	653.3



INTEGRATED OVERLAY PANEL

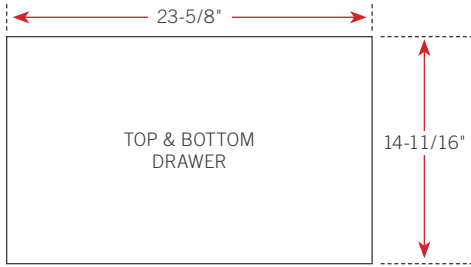
24"	IN / LB	MM / KG
Width	23-5/8	600
Height	30-1/8	765.2
Depth	3/4 (max)	19 (max)
Weight	15 lb. (max)	6.8 kg (max)
Rail Style Dimension	2 (min)	50.8 (min)
Viewable Area Width	19-5/8	498.5
Viewable Area Height	25-23/32	653.3
15"	IN / LB	MM / KG
Width	14-5/8	371.5
Height	30-1/8	765.2
Depth	3/4 (max)	19 (max)
Weight	15 lb. (max)	6.8 kg (max)
Rail Style Dimension	2 (min)	50.8 (min)
Viewable Area Width	10-5/8	269.9
Viewable Area Height	25-23/32	653.3



CUSTOM PANEL SPECIFICATIONS – DRAWER REFRIGERATOR / FREEZER

STANDARD OVERLAY PANEL

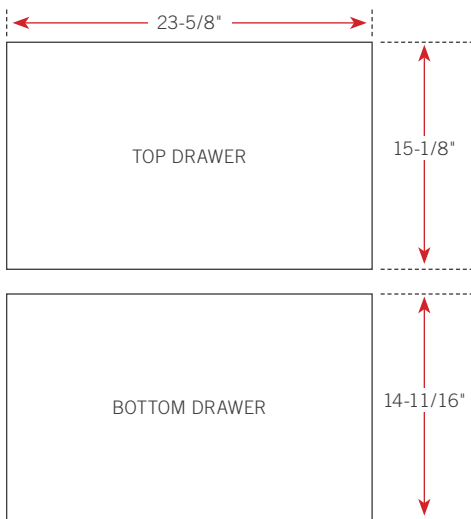
24"	IN / LB	MM / KG
Width	23-5/8	600
Height	14-11/16	373
Depth	3/4 (max)	19 (max)
Weight	15 (max)	6.8 (max)



INTEGRATED OVERLAY PANEL

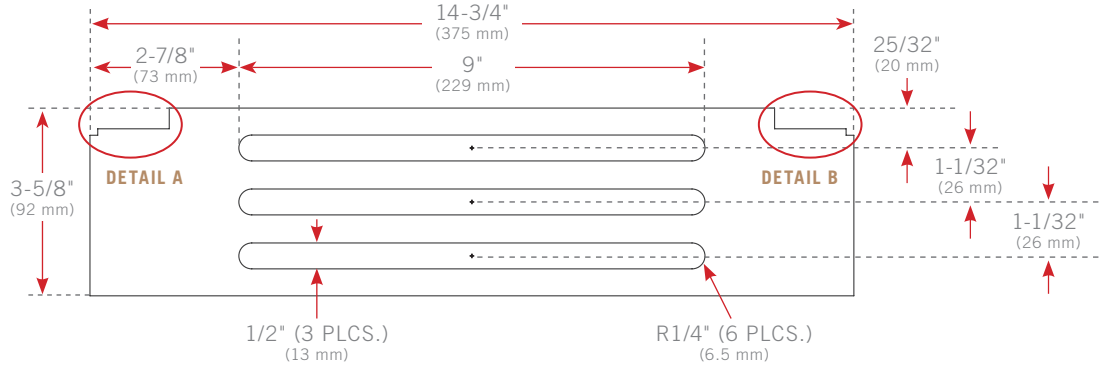
NOTE: TOP DRAWER WILL EXTEND ABOVE APPLIANCE FRONT

24"	IN / LB	MM / KG
Width	23-5/8	600
Top Panel Height	15-1/8	384
Bottom Panel Height	14-11/16	373
Depth	3/4 (max)	19 (max)
Weight	15 (max)	6.8 (max)

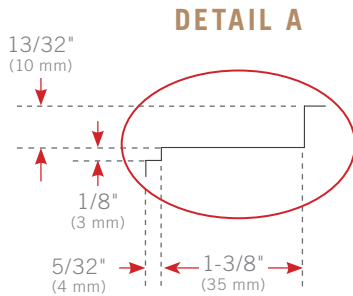
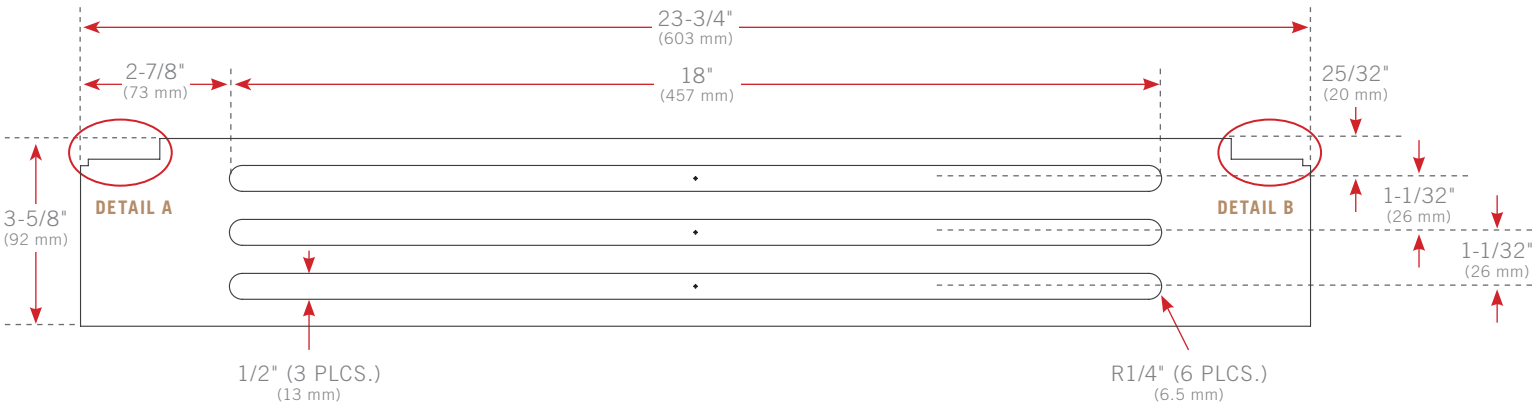


LOUVER TEMPLATE MEASURES

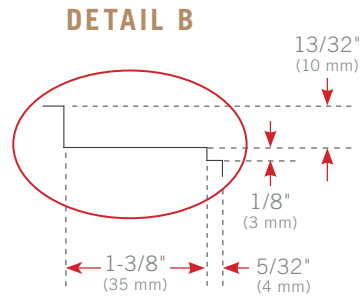
15 INCH



24 INCH



SCALE 2:3
 Notch here for a **left hinged** unit.



SCALE 2:3
 Notch here for a **right hinged** unit.

DOOR OVERLAY PANEL INSTALLATION

Follow the instructions below to install door overlay panels. Door overlay panel installation is the same for solid and glass door units. For custom panel specifications, please see “Custom Panel Specifications” starting on pg. 25.

NOTE: DO NOT INSTALL A SOLID PANEL ON A GLASS DOOR. THIS MAY CAUSE MOISTURE TO FORM BEHIND THE PANEL, RESULTING IN DAMAGE.

REQUIRED TOOLS

Required tools include (but may not be limited to) the following:

- Surface Protection*
- 3/8" Wrench
- Phillips Bit Driver
- 2+ Clamps $\geq 2"$ (51 mm)
- 1/8" Drill Bit
- #6 Screws (qty 10)**
- Drill

*Cardboard, moving blanket, foam padding, etc.

**To be supplied by the installer. Screw type and length varies by material. All screws must be 1/2" (13 mm) + Overlay Panel Thickness.

PROCEDURE

1. Carefully lay the door overlay panel on a protected surface.
2. Remove the kickplate. See fig. 1.
3. Remove the door from the unit. Leave the hinges installed on the unit. See fig. 2.

NOTE: BE SURE TO SUPPORT THE DOOR WHILE REMOVING THE HINGE HARDWARE. DO NOT DISCARD.

4. Remove the gasket. See fig. 3.
5. With a 1/8" drill bit, carefully drill the pre-marked pilot holes in the door. See fig. 4.
6. Carefully place the door face down on the overlay panel. Align the door and panel edges. See fig. 5.

7. Clamp the door and panel. See fig. 6

NOTE: IF THE CLAMP JAWS ARE NOT PADDED, INSERT PADDING BETWEEN THE CLAMP AND THE OVERLAY TO PROTECT THE PANEL'S FINISH.

IF DESIRED, INSTALL A HANDLE BEFORE PROCEEDING TO THE NEXT STEP. FOR BEST INSTALLATION, FASTEN THE HANDLE WITH RECESSED SCREWS. SEE FIGS. 7 AND 8.

8. Carefully drill pilot holes into the panel. See fig. 6.

NOTE: TAKE CARE TO NOT DRILL THROUGH THE FRONT OF THE PANEL.

9. Fasten the overlay panel to the door front. Then, remove the clamp(s).

10. Install the door gasket.

NOTE: VERIFY THE GASKET IS FULLY SEATED IN THE GASKET CHANNEL.

11. Install the door assembly. Verify the door closes correctly and the gasket seals without gaps.



FIG. 1. Pull the kickplate off the magnets.

PRIOR TO INSTALLATION

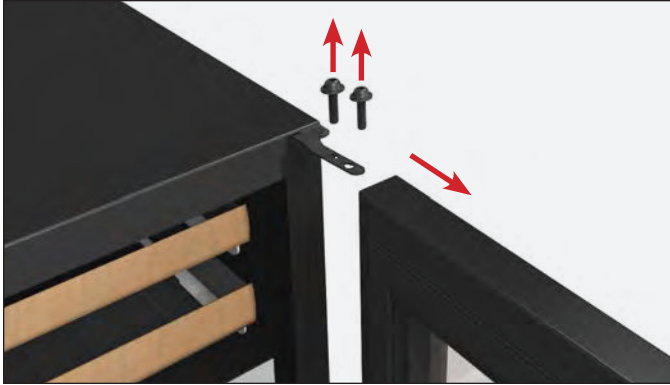


FIG. 2. Remove the hinge bolts from top and bottom hinge

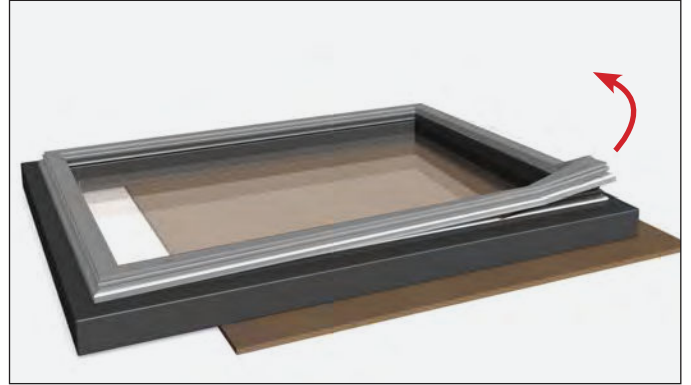


FIG. 3. Pull the gasket from the door.

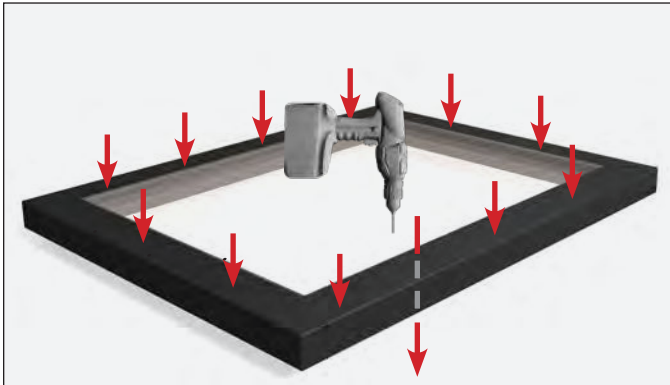


FIG. 4. Drill pilot holes THROUGH the door assembly.

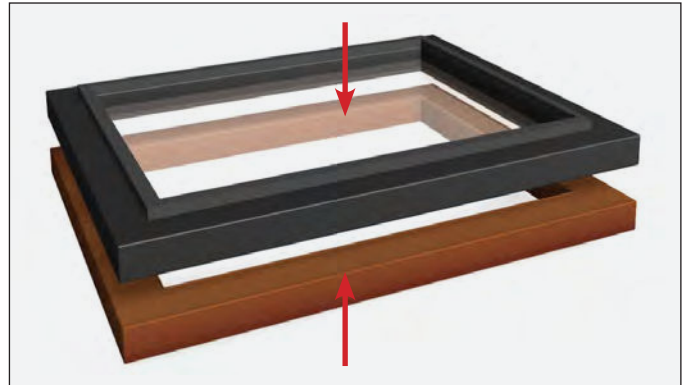


FIG. 5. Be sure the edges are aligned before clamping the panel and door assembly.

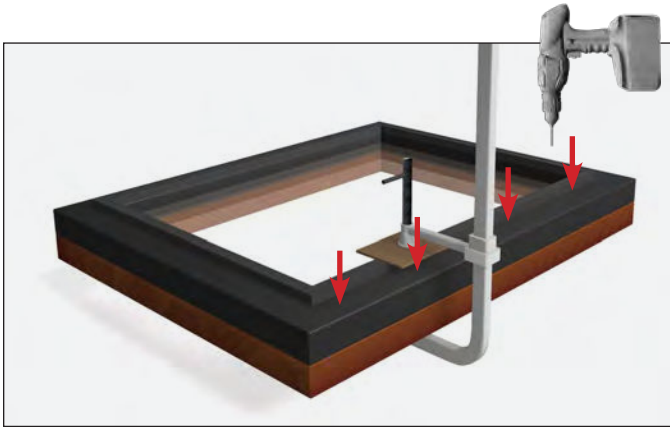


FIG. 6. Be sure to NOT drill through the panel's front.

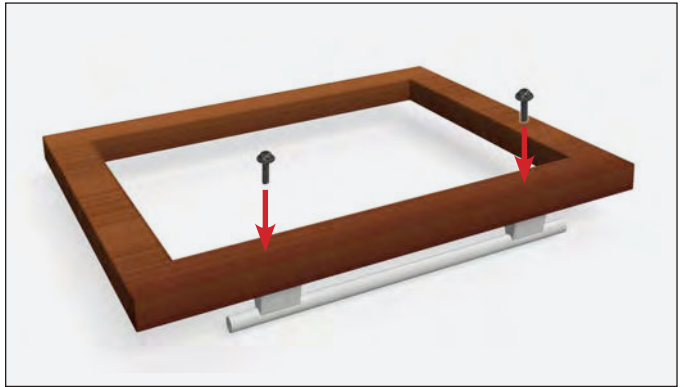


FIG. 7. Install handles before fastening the overlay panel to the door.

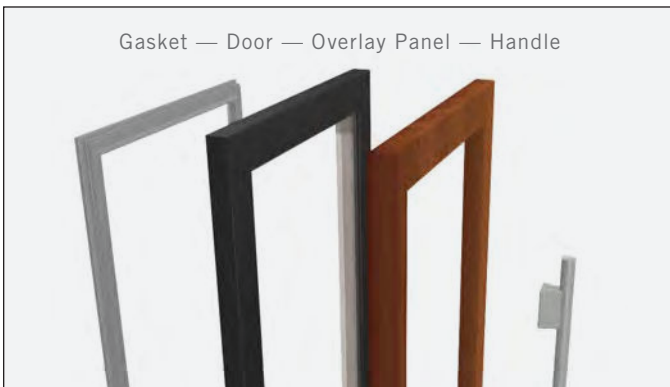


FIG. 8. Door assembly component order.

DRAWER OVERLAY PANEL INSTALLATION

Follow the instructions below to install drawer overlay panels. For custom panel specifications, please see “Custom Panel Specifications” starting on page 25.

NOTE: REMOVE THE DRAWER FRONT AS DESCRIBED FOR EASY OVERLAY PANEL INSTALLATION.

REQUIRED TOOLS

Required tools include (but may not be limited to) the following:

- Surface Protection*
- Phillips Bit Driver
- 1+ Clamp ≥ 2" (51 mm)
- 1/8" Drill Bit
- #6 Screws (qty 8)**
- Drill

*Cardboard, moving blanket, foam padding, etc.

**To be supplied by the installer. Screw type and length varies by material. All screws must be 1/2" (13 mm) + Overlay Panel Thickness.

PROCEDURE

1. Carefully lay the drawer overlay panel face down on a protected surface.
2. With a Phillips bit driver, remove the drawer front assembly. See fig. 1.

NOTE: TAKE CARE TO NOT STRIP THE SCREWS.

3. Remove the gasket. See fig. 2.
4. With a 1/8" drill bit, carefully drill the pre-marked pilot holes in the drawer front. See fig. 3.
5. Place the drawer front face down on the overlay panel. Align the drawer front and panel edges. See fig. 4.

6. Clamp the drawer front and panel. See fig. 5.

NOTE: IF THE CLAMP JAWS ARE NOT PADDED, INSERT PADDING BETWEEN THE CLAMP AND THE OVERLAY TO PROTECT THE PANEL'S FINISH.

IF DESIRED, INSTALL A HANDLE BEFORE PROCEEDING TO THE NEXT STEP. FOR BEST INSTALLATION, FASTEN THE HANDLE WITH RECESSED SCREWS. SEE FIGS. 6.

7. Carefully drill pilot holes into the panel. See fig. 7.

NOTE: TAKE CARE TO NOT DRILL THROUGH THE FRONT OF THE PANEL.

8. Fasten the overlay panel to the drawer front. Then, remove the clamp(s).
9. Install the drawer gasket.

NOTE: VERIFY THE GASKET IS FULLY SEATED IN THE GASKET CHANNEL.

10. Install the drawer front assembly. Verify the drawer closes correctly and the gasket seals without gaps.
11. Repeat steps 1-10 for the second drawer.



FIG. 1. Drawer front screw locations. Other side not shown.

PRIOR TO INSTALLATION



FIG. 2. Pull the gasket from the drawer front.

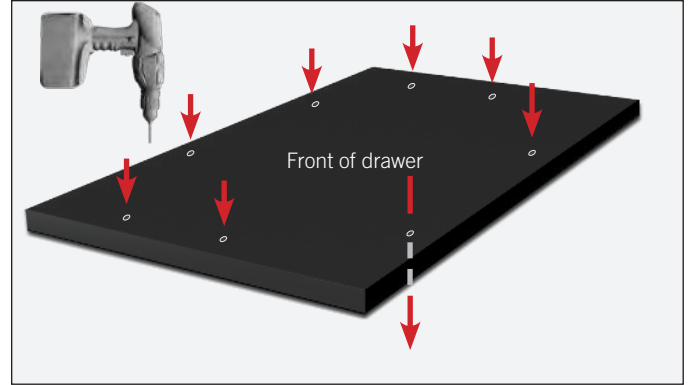


FIG. 3. Drill pilot holes THROUGH the drawer front.

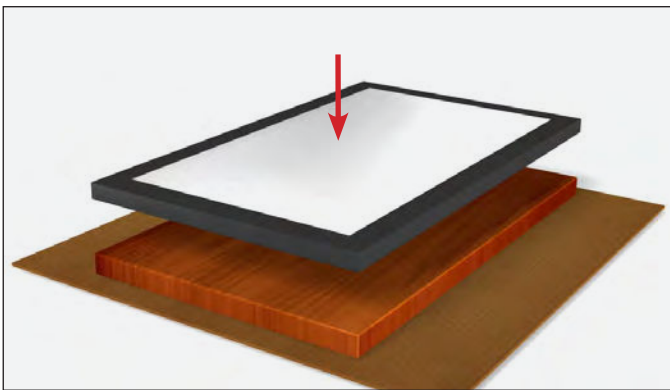


FIG. 4. Be sure the edges are aligned before clamping the drawer front assembly.

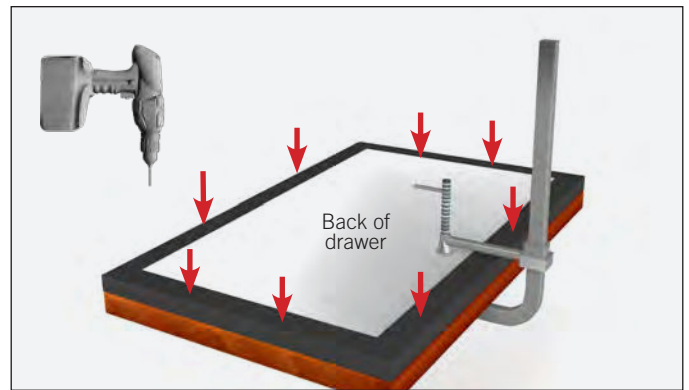


FIG. 5. Be sure NOT to drill through the panel's front.

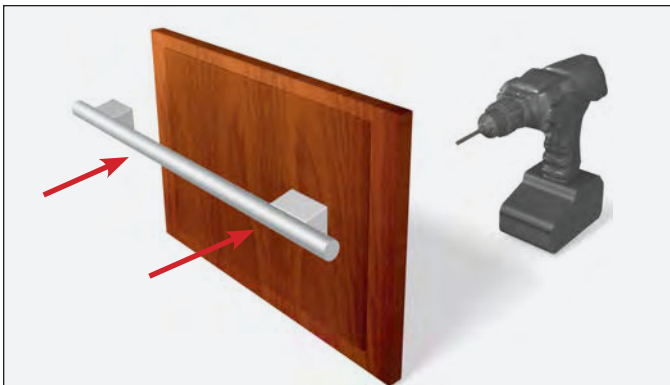


FIG. 6. Install handles before fastening the overlay panel to the door.