



Solid Door, Right Hinged  
TUR-24OP



Solid Door, Left Hinged  
TUR-24LH-OP



Glass Door, Right Hinged  
TUR-24G-OPG



Glass Door, Left Hinged  
TUR-24G-LH-OPG

Cabinets shown with custom overlay panel and door handle - supplied by others.

## SPECIFICATIONS

Exterior Dimensions: 23 <sup>15</sup>/<sub>16</sub>"W x 24 <sup>17</sup>/<sub>32</sub>"D<sup>†</sup> x 34"H

Voltage: 115/60/1

Amps: 1.9

Power Cord Length: 8'

Crated Weight: TUR-24OP (200 lbs)

TUR-24LH-OP (200 lbs) TUR-24OPG (205 lbs)

TUR-24LH-OPG (205 lbs)

Shelving: 2 adjustable/removable glass, spill-proof shelves

Total Capacity: 5.6 ft<sup>3</sup>

Lighting: White LED

Temperature: Set to 35°F with a 33°F - 65°F Range

<sup>†</sup>Depth includes <sup>3</sup>/<sub>4</sub>" for optional cabinet overlay panel installed.  
Specifications subject to change with out notice.



## EXCEPTIONAL FEATURES

- > **OP/OPG MODELS ARE BUILT-IN ONLY**
- > **300 SERIES STAINLESS STEEL INTERIOR**  
Provides an elegant look and durability, which will prolong the life of your refrigerator
- > **OVERSIZED / BALANCED FORCED AIR REFRIGERATION SYSTEM**  
Enables rapid product pull down and temperatures within +/-1 degree of set point
- > **FULL AUTO DEFROST**  
Auto defrost is programmed into the refrigeration cycle, so there is no need for manual defrost
- > **ELECTRONIC BLUE LED TEMPERATURE DISPLAY**  
Allows visibility and adjustment of temperature, as well as ability to turn interior lighting on or off without opening door. A sleek integration into the doorframe provides an elegant complement to the stainless.
- > **WHITE LED INTERIOR LIGHTING**  
LED lighting is not a significant heat source like other types of lighting and ensures consistent temperatures throughout the refrigerator.
- > **UV-TINTED, DOUBLE PANE, LOW-E GLASS DOOR**  
Protects food and beverages from UV rays, as well as other harmful lights that can affect your products
- > **2 SPILL-PROOF GLASS SHELVES**  
Adjustable and removable to accommodate a variety of products
- > **2 YEARS PARTS AND LABOR WARRANTY WITH AN ADDITIONAL 3 YEARS ON THE SEALED SYSTEM**

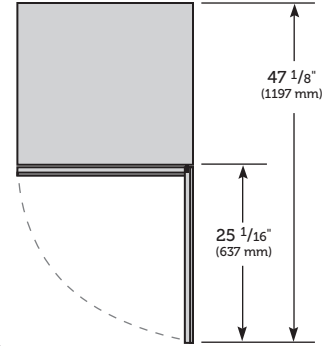
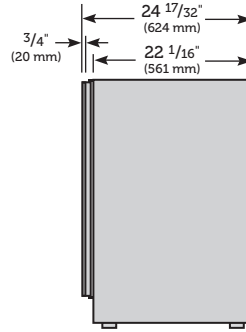
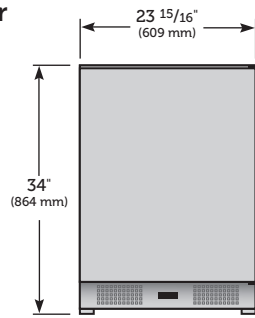
2001 East Terra Lane, O'Fallon, MO 63366 USA

phone 636.240.2400 toll free 888.616.8783 parts 800.424.8783 fax 636.272.7546

website [www.true-residential.com](http://www.true-residential.com) info address [info@true-residential.com](mailto:info@true-residential.com)

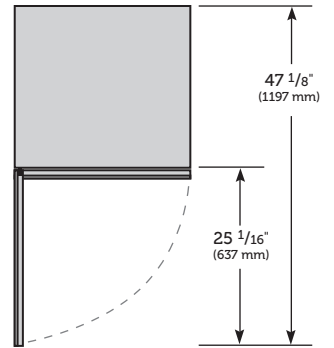
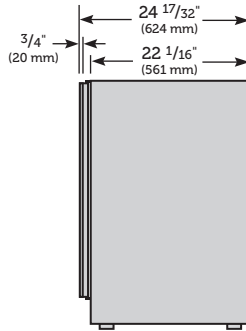
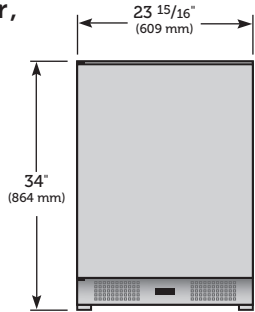
9/20/10

**Solid Overlay,  
All Refrigerator  
TUR-24OP**



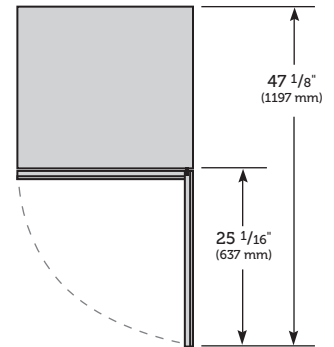
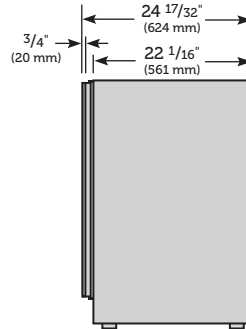
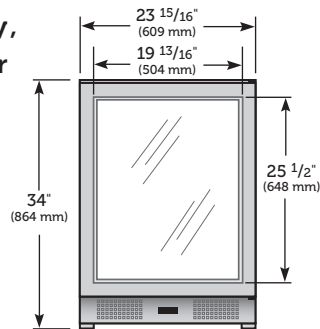
<sup>†</sup>Depth includes 3/4" for custom cabinet overlay panel installed.  
Height Dimensions +/- 1/2"

**Solid Overlay,  
All Refrigerator,  
Left Hinge  
TUR-24LH-OP**



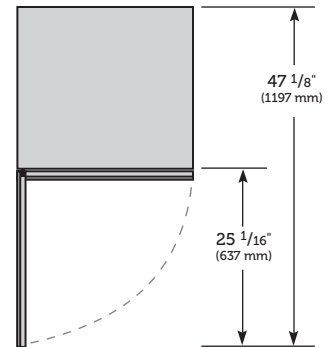
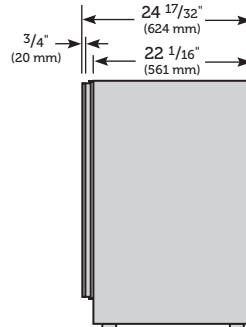
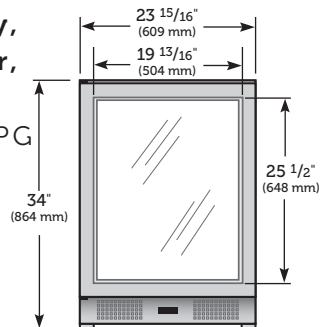
<sup>†</sup>Depth includes 3/4" for custom cabinet overlay panel installed.  
Height Dimensions +/- 1/2"

**Glass Door  
Framed Overlay,  
All Refrigerator  
TUR-24G-OPG**



<sup>†</sup>Depth includes 3/4" for custom cabinet overlay panel installed.  
Height Dimensions +/- 1/2"

**Glass Door  
Framed Overlay,  
All Refrigerator,  
Left Hinge  
TUR-24G-LH-OPG**



<sup>†</sup>Depth includes 3/4" for custom cabinet overlay panel installed.  
Height Dimensions +/- 1/2"

2001 East Terra Lane, O'Fallon, MO 63366 USA

phone 636.240.2400 toll free 888.616.8783 parts 800.424.8783 fax 636.272.7546

website [www.true-residential.com](http://www.true-residential.com) info address [info@true-residential.com](mailto:info@true-residential.com)