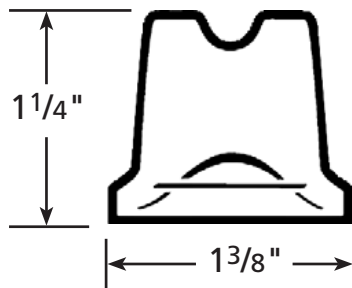


# True<sup>®</sup> REFRIGERATION ICE MACHINE

## 15 Inch Clear Ice Machine

The True clear ice machine is the ultimate addition to any home. Perfect indoors and out, it provides maximum ice production, up to 70lbs. per day with storage of 28lbs. All models have a drain pump and water filter built-in. Beautiful clear cubes will make the perfect compliment to your beverage of choice.

### CUBE SHAPE & SIZE



### EXCEPTIONAL FEATURES

- 300-series stainless steel exterior.
- Zero-clearance hinging allows for integrated installation.
- Patented TruLumina<sup>®</sup> LED lighting gently illuminates your ice and allows you to choose from 14 different color options with the push of a button.
- True Precision Control<sup>®</sup> with steel touch technology and readout provides ice cycle status.
- Produces up to 70lbs of clear ice per day with a storage capacity of 28lbs.
- Ice scooper integrated inside door.
- Industry exclusive, standard built-in drain pump.
- Built-in water filter rated up to 1250 gallons.
- Automatic cleaning system.
- UL rated for outdoor use.
- Energy Star Listed.
- 3 year full warranty and 6 year parts/labor warranty on sealed system.

**NOTE:** Overlay models have black vinyl coated steel exteriors.

## 15 Inch Clear Ice Machine



Stainless Steel

TUI-15-L-SS-B



Stainless Steel

TUI-15-R-SS-B



\*Overlay Panel

\*Available April 2015

TUI-15-L-OP-B



\*Overlay Panel

\*Available April 2015

TUI-15-R-OP-B

### OPTIONAL FINISHES

FINISH	MODEL
UNDERCOUNTER REFRIGERATOR	
Stainless solid door right-hinged	TUI-15-R-SS-B
Stainless solid door left-hinged	TUI-15-L-SS-B
Overlay solid right-hinged	TUI-15-R-OP-B
Overlay solid left-hinged	TUI-15-L-OP-B

### OPERATING REQUIREMENTS

Air Temperature	40 - 100°F
Water Temperature	40 - 100°F
Water Pressure	20 - 80 PSIG
* Max Ice Production	70 lbs/day
** Rated Ice Production	57 lbs/day

\* Performance Rated at 70°F air / 50°F water / 30 psig water pressure.

\*\* Performance Rated at 90°F air / 70°F water / 30 psig water pressure.

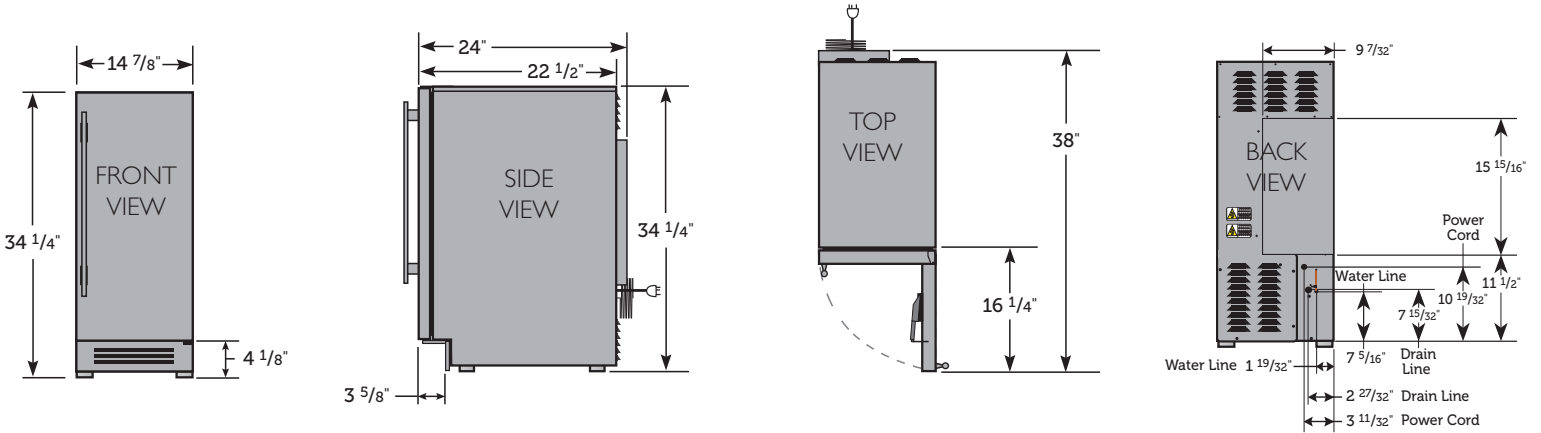
### ELECTRICAL & PLUMBING

ELECTRICAL	PLUMBING
Voltage: 115/60/1	Water Supply: 1/4 inch OD copper, braided stainless steel or PEX tubing and compression fittings (not included) Drain Pump Connection: Supplied with 8ft of 3/8 inch OD plastic tubing
Min Circuit Ampacity (amps): 15	
Power Cord Length: 8'	
Annual kWh Consumption: 9.5kwh/100lb	



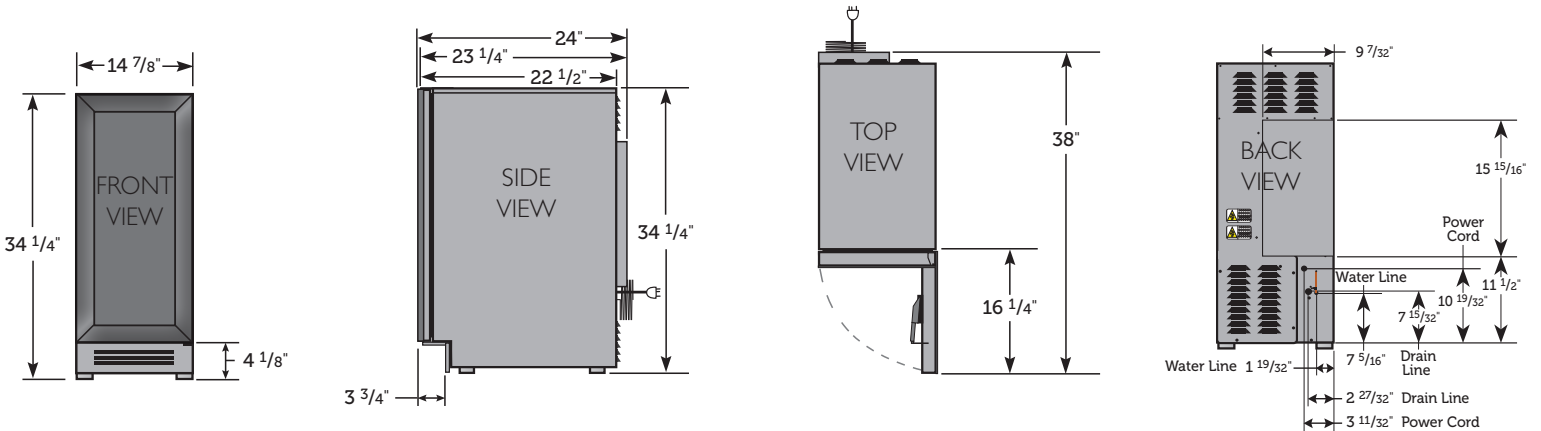
## PLAN VIEWS

### UNDERCOUNTER CLEAR ICE MACHINE STAINLESS FINISH:



Dimensions may vary by  $\pm 1/8$ "

### UNDERCOUNTER CLEAR ICE MACHINE OVERLAY FINISH:

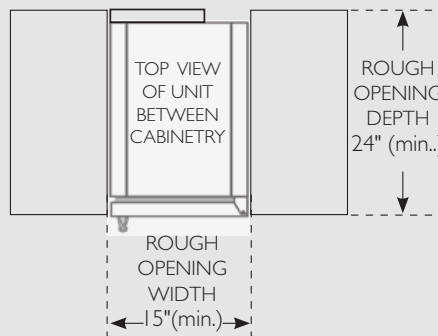
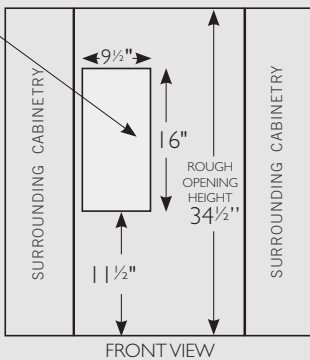


Dimensions may vary by  $\pm 1/8$ "

## OPENING DIMENSIONS

Width	Depth†	Height
15"	24"	34 1/2"

Avoid running wires or plumbing in this area.



## SPECIFICATIONS

SPECIFICATIONS	
Width	14 7/8"
Depth†	23 7/8"
Height	34 1/4"
Max Ice Capacity (lbs/day)	70
Rated Ice Capacity (lbs/day)	57
Rated Ice Storage (lbs)	28
Opening Width	15"
Opening Depth	24"
Opening Height	34 1/2"
Crated Weight	125

†Depth does not include 1 7/8" for door handle.