



# UNDERCOUNTER REFRIGERATOR

## 24 Inch Undercounter Refrigerator Drawers

Whether indoors or outdoors, the True® Undercounter Refrigerator Drawers are the ideal addition to your home. Designed to provide complete flexibility while also enhancing your existing space, the True Refrigerator Drawers give you all the additional cold storage you need.

## 24 Inch Undercounter Refrigerator Drawers



Stainless Steel

TUR-24D-SS-B



Overlay Panel

TUR-24D-OP-B

### EXCEPTIONAL FEATURES

Industry exclusive, 300-series stainless steel interior and exterior.

5.4 cubic feet of capacity.

Patented TruLumina® LED lighting gently illuminates your product and allows you to choose from 14 different color options with the push of a button.

True Precision Control® with steel touch technology and readout provides digital accuracy.

Balanced, forced-air refrigeration system enables rapid product pull down and even temperature throughout.

2 heavy-duty bin dividers per drawer.

Exclusive True®-Glide soft-close feature for both drawers.

Rated for both beverage and open food storage.

Star-K compliant.

UL rated for outdoor use.

**NOTE:** Overlay model has 300-series stainless steel interior and black vinyl coated steel exterior.

### OPTIONAL FINISHES

| FINISH                            | MODEL        |
|-----------------------------------|--------------|
| UNDERCOUNTER REFRIGERATOR DRAWERS |              |
| Stainless solid drawer            | TUR-24D-SS-B |
| Overlay solid drawer              | TUR-24D-OP-B |

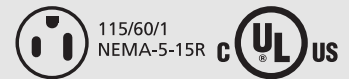
### ELECTRICAL SPECIFICATIONS

Voltage: 115/60/1

Amps: 1.9

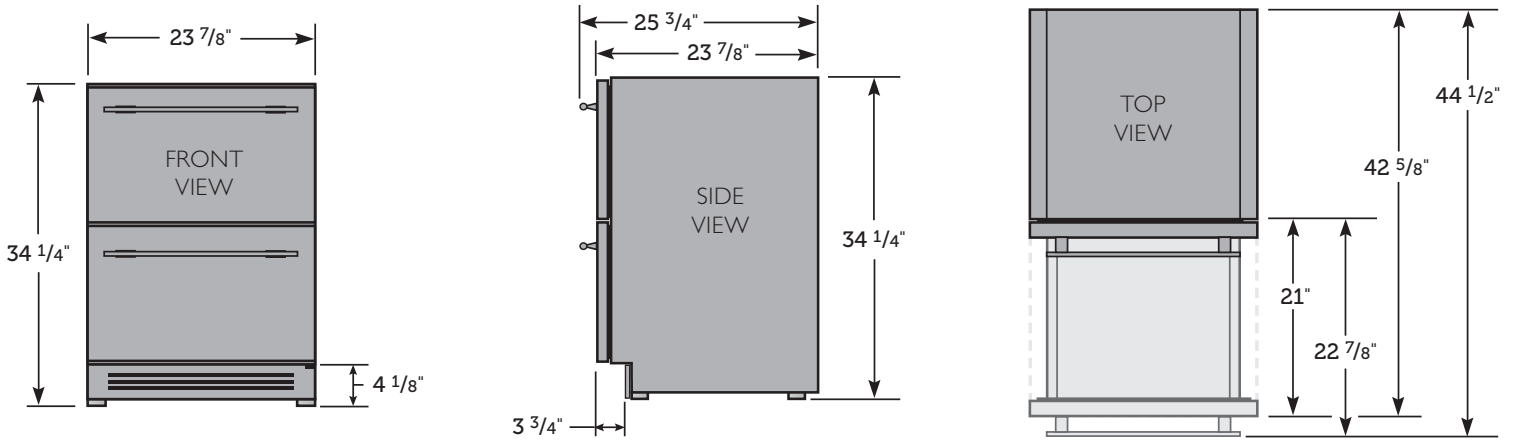
Power Cord Length: 8'

Annual kWh Consumption: TBD



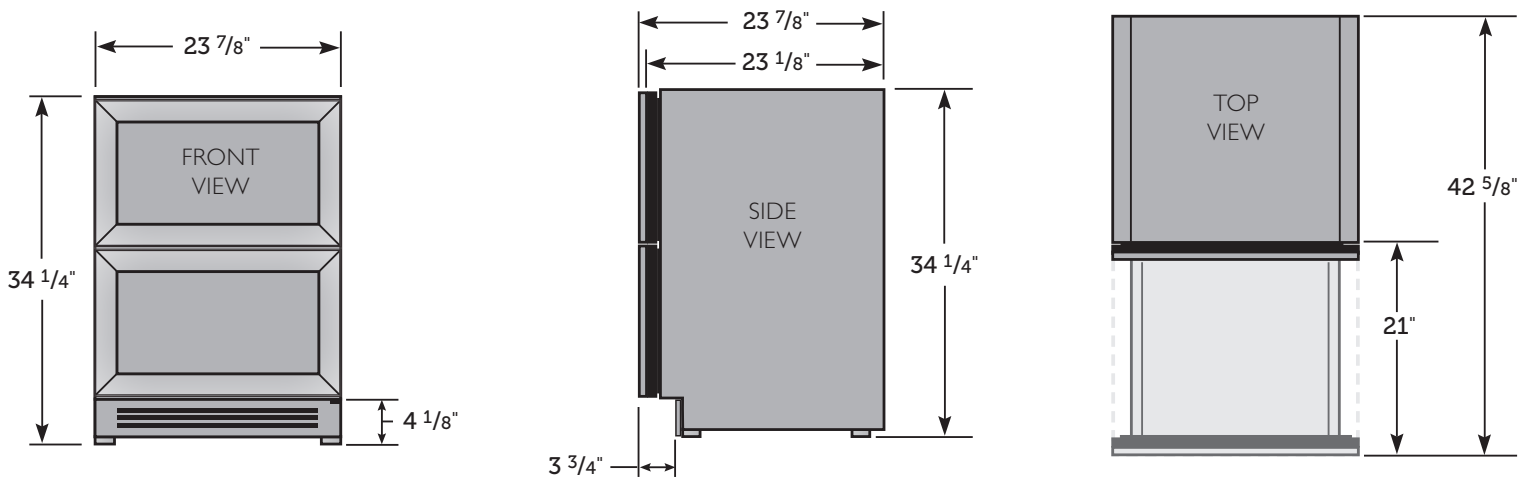
## PLAN VIEWS

### UNDERCOUNTER REFRIGERATOR DRAWERS STAINLESS FINISH:



Dimensions may vary by  $\pm 1/8"$

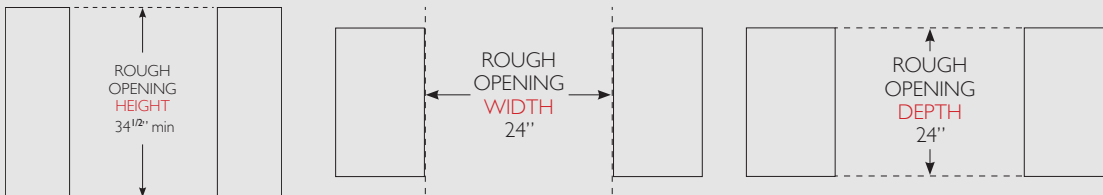
### UNDERCOUNTER REFRIGERATOR DRAWERS OVERLAY FINISH: Shown with 3/4" Panel



Dimensions may vary by  $\pm 1/8"$

## OPENING DIMENSIONS

| Width | Depth† | Height  |
|-------|--------|---------|
| 24"   | 24"    | 34 1/2" |



## SPECIFICATIONS

|                |         |
|----------------|---------|
| Width          | 23 7/8" |
| Depth†         | 23 7/8" |
| Height         | 34 1/4" |
| Drawers        | 2       |
| Opening Width  | 24"     |
| Opening Depth  | 24"     |
| Opening Height | 34 1/2" |
| Crated Weight  | 210     |

†Depth does not include 1 7/8" for drawer handle.