



UNDERCOUNTER REFRIGERATOR DUAL-TAP BEVERAGE DISPENSER
 TUR-24DD-R-SS-A - STAINLESS SOLID DOOR - RIGHT HINGE
 TUR-24DD-L-SS-A - STAINLESS SOLID DOOR - LEFT HINGE



Stainless Solid Left Hinged TUR-24DD-L-SS-A



Stainless Solid Right Hinged TUR-24DD-R-SS-A

The True Dual-Tap Beverage Dispenser gives you The Perfect Serve. Ideal for the beer connoisseur or for those who love to entertain, this draft beer dispenser uses our exclusive airflow technology to deliver a frosty and refreshing beverage, every time. Best of all, this versatile beer keg cooler is completely convertible to a Beverage Center, Wine Cabinet or All Refrigerator, making it adaptable as your needs change. No other in-home beverage dispenser will offer you the same perfect serve time and time again.

SPECIFICATIONS

Width	Depth†	Height	Shelves	Opening Width	Opening Depth	Opening Height	Crated Weight
23 ⁷ / ₈ "	23 ⁷ / ₈ "	34 ¹ / ₄ "	1 Wire Floor	24"	24"	34 ¹ / ₂ "	N/A

†Depth does not include 1⁷/₈" floor door handle.
 *Height does not include 7⁷/₈" for Tapper.

EXCEPTIONAL FEATURES

- Industry exclusive, 300-series stainless steel interior and exterior.
- Zero-clearance hinging allows for integrated installation.
- Patented TriLumina® LED lighting allows you to choose from white, amber, or blue with the push of a button and allows consistent illumination throughout the interior.
- True Precision Control® with steel touch technology and readout provides digital accuracy.
- Balanced, forced-air refrigeration system enables rapid product pull down.
- TrueFlex® shelving system allows convertibility to a refrigerator, beverage center, or wine cabinet.
- Star-K compliant.
- Standard with lock.
- UL rated for outdoor use.
- Exclusive airflow technology provides the perfect serve every time.
- Standard with draft tower, CO2 tank, CO2 regulator valve, and low profile Sankey tapper.
- Single tap unit accommodates (1) short 1/4 barrel, (1) slim 1/4 barrel, or (1) 1/6 barrel.
- Dual tap unit accommodates (2) 1/6 barrels, or (1) slim 1/4 barrel and (1) 1/6 barrel.

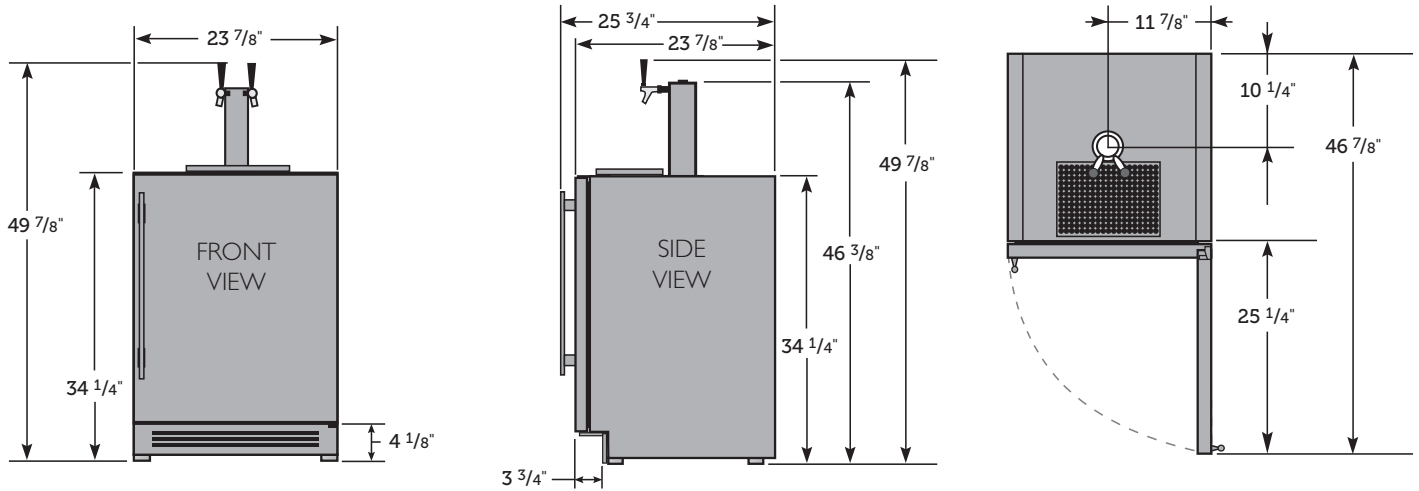
ELECTRICAL REQUIREMENTS

Voltage: 115/60/1
 Amps: 1.9
 Power Cord Length: 8'
 Annual kWh Consumption: 340



As we strive for continuous improvement, specifications are subject to change without notice.

PLAN VIEW



Dimensions may vary by $\pm \frac{1}{8}$ "

OPENING DIMENSIONS

Width

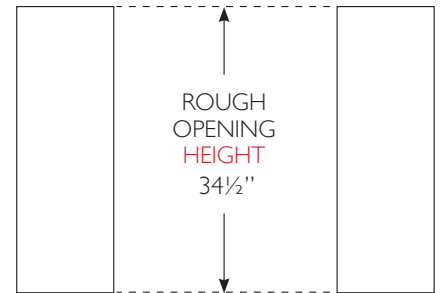
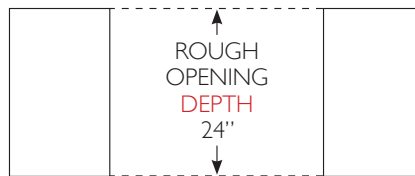
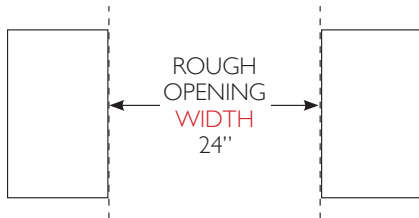
24"

Depth

24"

Height

34½"



Additional information can be found on our website true-residential.com/support.