



**UNDERCOUNTER REFRIGERATOR SINGLE-TAP BEVERAGE DISPENSER**  
 TUR-15BD-R-SS-A - STAINLESS SOLID DOOR - RIGHT HINGE  
 TUR-15BD-L-SS-A - STAINLESS SOLID DOOR - LEFT HINGE



Stainless Solid Left Hinged TUR-15BD-L-SS-A



Stainless Solid Right Hinged TUR-15BD-R-SS-A

The True Beverage Dispenser gives you The Perfect Serve. Ideal for the beer connoisseur or for those who love to entertain, this draft beer dispenser uses our exclusive airflow technology to deliver a frosty and refreshing beverage, every time. Best of all, this versatile beer keg cooler is completely convertible to a Wine Cabinet or All Refrigerator. With commercial-grade performance and the flexibility of its compact size, the True Professional Series® 15" Beverage Dispenser is sure to complement any space in your home.

**SPECIFICATIONS**

| Width                          | Depth†                         | Height                         | Opening Width | Opening Depth | Opening Height                   | Crated Weight |
|--------------------------------|--------------------------------|--------------------------------|---------------|---------------|----------------------------------|---------------|
| 14 <sup>7</sup> / <sub>8</sub> | 23 <sup>7</sup> / <sub>8</sub> | 34 <sup>1</sup> / <sub>4</sub> | 15"           | 24"           | 34 <sup>1</sup> / <sub>2</sub> " | 150           |

†Depth does not include 1 7/8" floor door handle.

\*Height does not include 7 7/8" for Tapper.

**EXCEPTIONAL FEATURES**

- Industry exclusive, 300-series stainless steel interior and exterior.
- Zero-clearance hinging allows for integrated installation.
- Patented TriLumina® LED lighting allows you to choose from white, amber, or blue with the push of a button and allows consistent illumination throughout the interior.
- True Precision Control® with steel touch technology and readout provides digital accuracy.
- Balanced, forced-air refrigeration system enables rapid product pull down.
- TrueFlex® shelving system allows convertibility to a refrigerator, beverage center, or wine cabinet.
- Star-K compliant.
- Standard with lock.
- UL rated for outdoor use.
- Exclusive airflow technology provides the perfect serve every time.
- Standard with draft tower, CO2 tank, CO2 regulator valve, and low profile Sankey tapper.
- Unit accommodates (1) slim 1/4 barrel or (1) 1/6 barrel.

**ELECTRICAL REQUIREMENTS**

Voltage: 115/60/1

Amps: 1.9

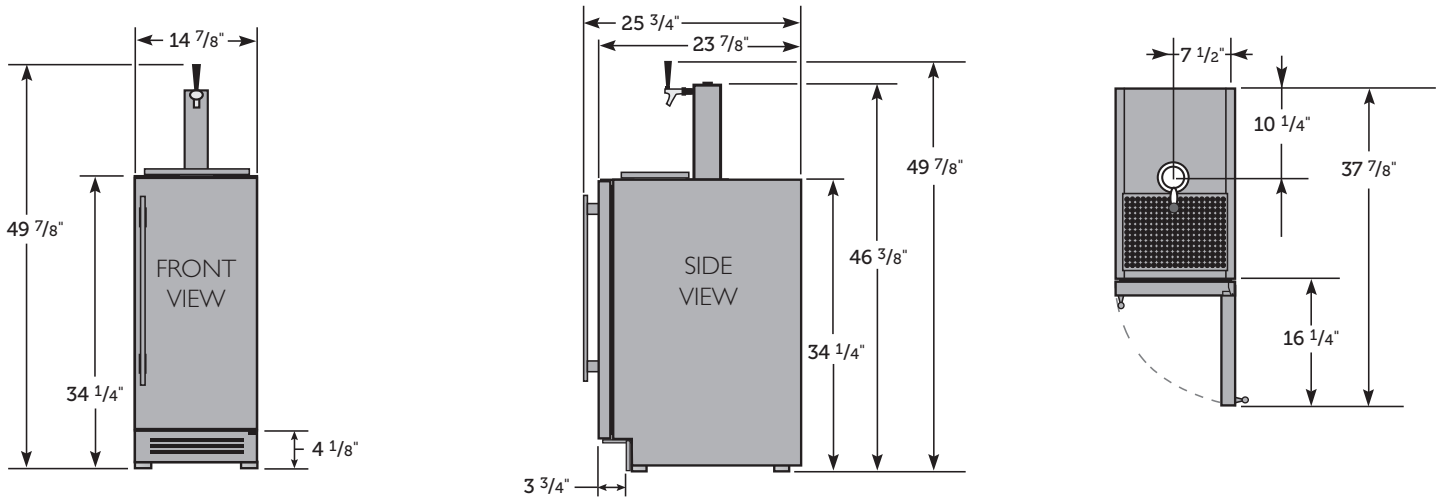
Power Cord Length: 8'

Annual kWh Consumption: 305



As we strive for continuous improvement, specifications are subject to change without notice.

**PLAN VIEW**

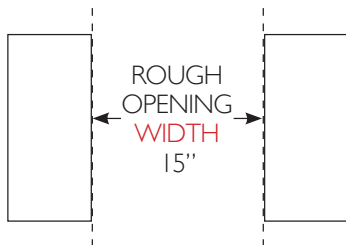


Dimensions may vary by  $\pm 1/8"$

**OPENING DIMENSIONS**

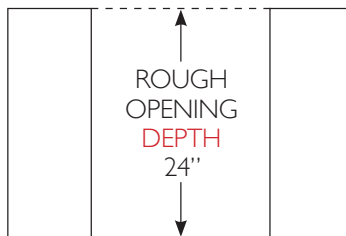
**Width**

15"



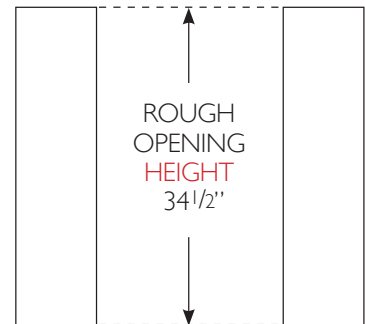
**Depth**

24"



**Height**

34 1/2"



Additional information can be found on our website [true-residential.com/support](http://true-residential.com/support).