



## UNDERCOUNTER REFRIGERATOR - GLASS DOOR

TUR-15-R-SG-A - STAINLESS GLASS DOOR - RIGHT HINGE

TUR-15-L-SG-A - STAINLESS GLASS DOOR - LEFT HINGE



Stainless Glass Left Hinged TUR-15-L-SG-A



Stainless Glass Right Hinged TUR-15-R-SG-A

Whether indoors or outdoors, the True Professional Series® Undercounter Refrigerator gives you complete cooling flexibility wherever you need it. A testament to the quality of this line, the glass door version of the True Undercounter Refrigerator is the only glass door model in the industry that is also UL rated for outdoor use. The perfect combination of powerful performance with universal styling, the True Undercounter Refrigerator is an elegant addition to any gathering space in your home.

### SPECIFICATIONS

Width	Depth†	Height	Shelves	Opening Width	Opening Depth	Opening Height	Crated Weight
14 <sup>7</sup> / <sub>8</sub>	23 <sup>7</sup> / <sub>8</sub>	34 <sup>1</sup> / <sub>4</sub>	2	15"	24"	34 <sup>1</sup> / <sub>2</sub> "	145

†Depth does not include 1<sup>7</sup>/<sub>8</sub> for door handle.

### EXCEPTIONAL FEATURES

- Industry exclusive, 300-series stainless steel interior and exterior.
- Zero-clearance hinging allows for integrated installation.
- Patented TriLumina® LED lighting gently illuminates your product and allows you to choose from white, amber, or blue with the push of a button.
- Low-E, double pane, UV tinted glass.
- True Precision Control® with steel touch technology and readout provides digital accuracy.
- Balanced, forced-air refrigeration system enables rapid product pull down and even temperature throughout.
- 2 adjustable/removable stainless steel encapsulated glass shelves.
- TrueFlex® shelving system allows convertibility to a beverage center or wine cabinet.
- Star-K compliant.
- Standard with lock.
- UL rated for outdoor use.

### ELECTRICAL REQUIREMENTS

Voltage: 115/60/1

Amps: 1.9

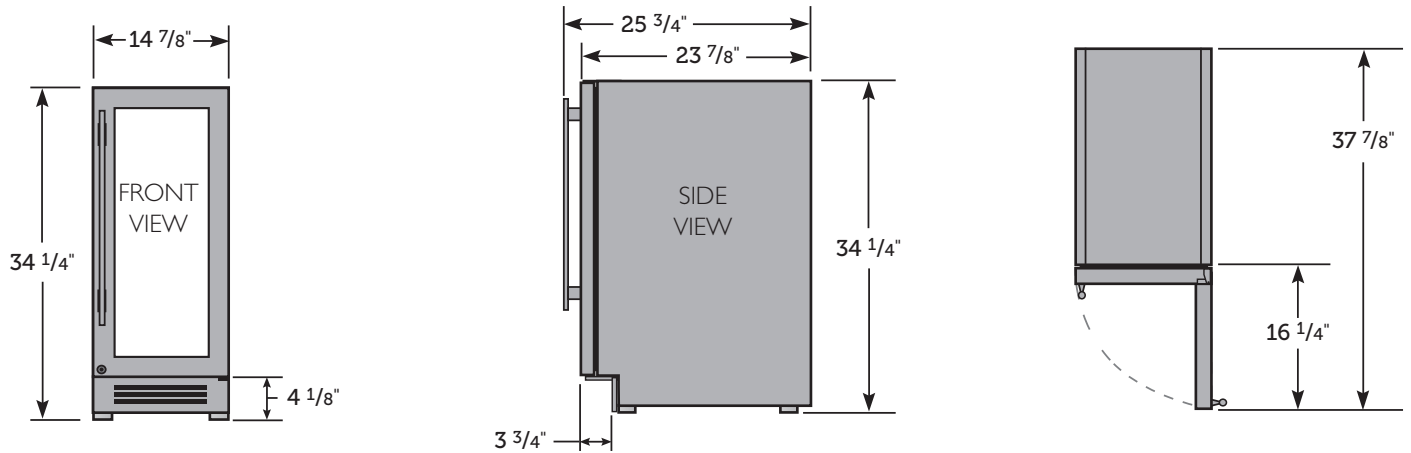
Power Cord Length: 8'

Annual kWh Consumption: 315



As we strive for continuous improvement, specifications are subject to change without notice.

**PLAN VIEW**

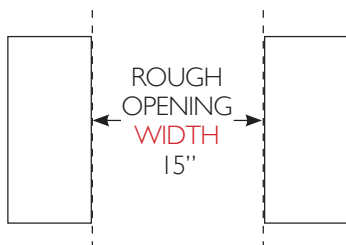


Dimensions may vary by  $\pm \frac{1}{8}$ "

**OPENING DIMENSIONS**

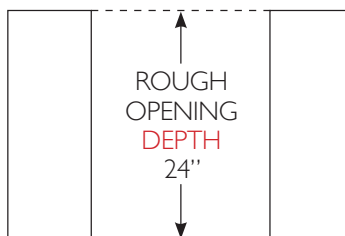
**Width**

15"



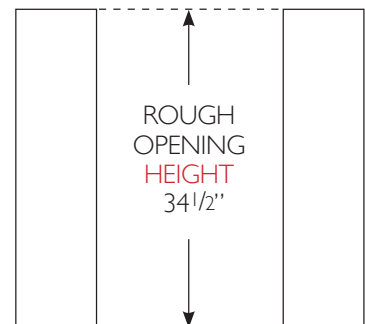
**Depth**

24"



**Height**

34 1/2"



Additional information can be found on our website [true-residential.com/support](http://true-residential.com/support).