



TUR-24DD

UNDERCOUNTER REFRIGERATOR DUAL-TAP BEVERAGE DISPENSER

SPECIFICATIONS

- Exterior Dimensions: 23¹⁵/₁₆" L x 24¹⁹/₃₂" D x 34" H
- Voltage: 115/60/1
- Amps: 1.9
- Power Cord Length: 8'
- Crated Weight: 220 lbs.
- Shelving: 1 wire shelf
- Total Capacity: 5.7 ft³, or one 1/4 barrel or two 1/6 barrels
- Lighting: White LED
- Temperature: Set to 35°F with a 33°F - 65°F range
- Comes standard with dual-tap tower, CO2 tank, CO2 regulator valve with 2-way manifold and (2) low profile tappers.

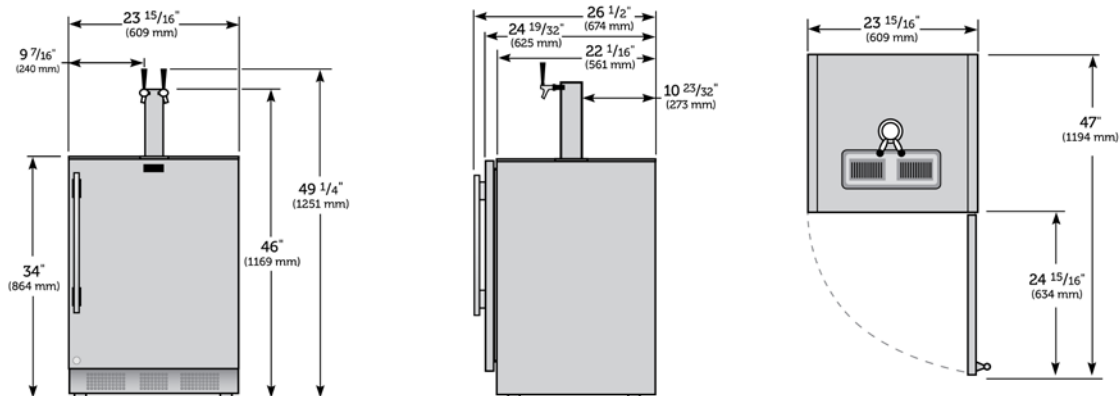


Specifications subject to change with out notice.

EXCEPTIONAL FEATURES

- > **FREE STANDING OR BUILT-IN FOR ANY SETTING**
Castors available as an accessory
- > **300 SERIES STAINLESS STEEL INTERIOR / EXTERIOR**
Prolongs the life of your cabinet while also providing an elegant look
- > **OVERSIZED / BALANCED FORCED AIR REFRIGERATION SYSTEM**
Enables rapid product pull down and temperatures within 1 degree
- > **2" COMMERCIAL GRADE STAINLESS STEEL INSULATED DOOR FRAME TECHNOLOGY**
Heavy-duty door that will add to insulation and longevity of your cabinet
- > **ELECTRONIC DOOR MOUNTED, BLUE LED TEMPERATURE DISPLAY WITH LED LIGHT CONTROL**
Allows you to adjust the temperature from 33°F to 65°F so you can store your beverage at its ideal serving temperature
- > **WHITE LED INTERIOR LIGHTING**
Low voltage LED lighting is not a significant heat source like other types of lighting and will ensure consistent temperatures throughout the refrigerator
- > **FLEXIBLE DESIGNED SHELVEING SYSTEM**
Allows you to easily convert between a beverage dispenser, refrigerator, beverage center, or wine cabinet
- > **STANDARD KEY LOCK ON DOOR**
Provides added security to keep out uninvited guests
- > **EXCLUSIVE AIRFLOW TECHNOLOGY**
Provides the perfect serve of frosty, refreshing beverages every time
- > **2 YEAR PARTS AND LABOR WARRANTY WITH AN ADDITIONAL 3 YEARS ON THE SEALED SYSTEM**
- > **UL RATED FOR OUTDOOR USE**

PLAN VIEW



2001 East Terra Lane, O'Fallon, MO 63366 USA

phone 636.240.2400 toll free 888.616.8783 parts 800.424.8783 fax 636.272.7546

website www.true-residential.com info address info@true-residential.com

4/11/2012