



TUR-24G UNDERCOUNTER REFRIGERATOR - GLASS

SPECIFICATIONS

- Exterior Dimensions: 23¹⁵/₁₆" L x 24¹⁹/₃₂" D x 34" H
- Voltage: 115/60/1
- Amps: 1.9
- Power Cord Length: 8'
- Crated Weight: 200 lbs.
- Shelving: 2 adjustable/removable glass, spill-proof shelves
- Total Capacity: 5.6 ft³
- Lighting: White LED
- Temperature: Set to 35°F with a 33°F-65°F range

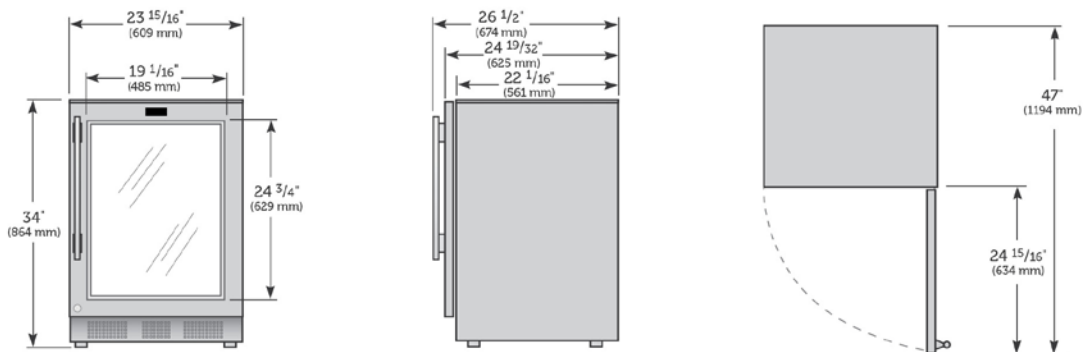


Specifications subject to change with out notice.

EXCEPTIONAL FEATURES

- > **FREE STANDING OR BUILT-IN FOR ANY SETTING**
Allows for flexibility depending upon the desired application
- > **300 SERIES STAINLESS STEEL INTERIOR / EXTERIOR**
Provides an elegant look and durability, which will prolong the life of your refrigerator
- > **OVERSIZED / BALANCED FORCED AIR REFRIGERATION SYSTEM**
Enables rapid product pull down and temperatures within 1 degree
- > **FULL AUTO DEFROST**
Auto defrost is programmed into the refrigeration cycle, so there is no need for manual defrost
- > **2" COMMERCIAL GRADE STAINLESS STEEL INSULATED DOOR FRAME TECHNOLOGY**
Heavy-duty door that will add to insulation and longevity of your cabinet
- > **STAY-OPEN DOOR HINGE FEATURE**
This standard feature allows for easy loading and unloading
- > **ELECTRONIC DOOR MOUNTED, BLUE LED TEMPERATURE DISPLAY WITH LED LIGHT CONTROL**
Allows visibility of temperature, as well as ability to turn interior lighting on or off without opening door. A sleek integration into the doorframe provides an elegant complement to the stainless.
- > **WHITE LED INTERIOR LIGHTING**
Low voltage LED lighting is not a significant heat source like other types of lighting and will ensure consistent temperatures throughout the refrigerator. This will also provide an attractive display when entertaining.
- > **UV-TINTED, DOUBLE PANE, LOW-E GLASS DOOR**
Protects wine from UV rays, as well as other harmful lights that can affect your wine
- > **2 SPILL-PROOF GLASS SHELVES**
Adjustable and removable to accommodate a variety of products
- > **ANTI-SWEAT KEY LOCK ON DOOR**
Added security to keep out uninvited guests
- > **2 YEARS PARTS AND LABOR WARRANTY WITH AN ADDITIONAL 3 YEARS ON THE SEALED SYSTEM**
- > **UL RATED FOR OUTDOOR USE**

PLAN VIEW



Height Dimensions +/- 1/2"

2001 East Terra Lane, O'Fallon, MO 63366 USA

phone 636.240.2400 toll free 888.616.8783 parts 800.424.8783 fax 636.272.7546

website www.true-residential.com info address info@true-residential.com